



Analog Output

Features

- Current Output and Voltage Output
- High Resolution: 14-bit
- Power On Value Setting
- Safe Value Setting
- 3000 V_{dc} Intra-Module Isolation
- Programmable Output Slope
- Dual Watchdog
- RoHS Compliance
- Wide Range of Operating Temperature: -25 ~ +75 °C



Introduction

I-7024, an 14-bit 4-channel analog output module, that include current output and voltage output. There are options for power on value and safe value for your consideration. I-7024 also features 3000 VDC intra-module isolation.

Applications

Building Automation, Factory Automation, Machine Automation, Remote Maintenance, Remote diagnosis, Testing Equipment.

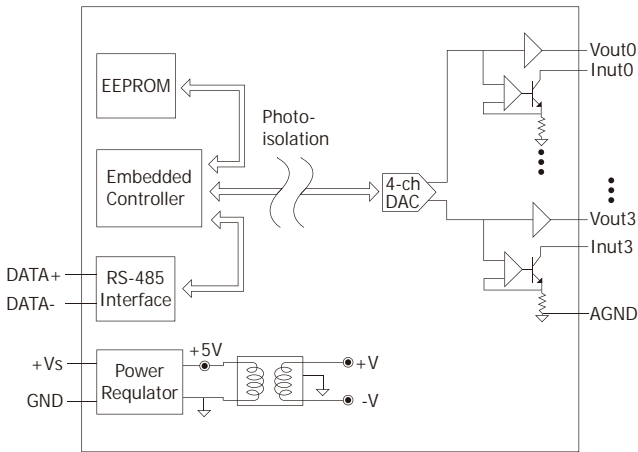
I/O Specifications

Analog Output		
Input Channels	4	
Output Type	0 ~ 20 mA, 4 ~ 20 mA, 0 ~ 5V, +/-5V, 0 ~ 10V, +/-10V	
Resolution	14-bit	
Accuracy	+/-0.1% of FSR	
Zero Drift	Current Output	+/-0.2 µA/°C
	Voltage Output	+/-30 µV/°C
Span Temperature Coefficient	+/-20 ppm/°C	
Programmable Output Slope	0.125 ~ 1024 mA/Sec. 0.0625 ~ 512 V/Sec.	
Voltage Output Capability	10 V, 10 mA maximum	
Current Load Resistor	External +24V power: 1050 Ω	
Intra-module Isolation, Field to Logic	3000 V _{dc}	

System Specifications

Interface		
Interface	RS-485	
Format	N, 8, 1	
Baud Rate	1200 ~ 115200 bps	
LED Display	1 LED as Power/Communication Indicator	
Power		
Input Voltage Range	+10 V _{dc} ~ +30 V _{dc}	
Power Consumption	Typical	1.6 W
	Maximum	2.4 W (4 Channels output 10 mA at 10 V)
Environment		
Operating temperature	-25 °C ~ +75 °C	
Storage temperature	-40 °C ~ +85 °C	
Humidity	10 ~ 95% RH, non-condensing	
Dimensions	72 mm x 121 mm x 35 mm (W x L x H)	

Internal I/O Structure

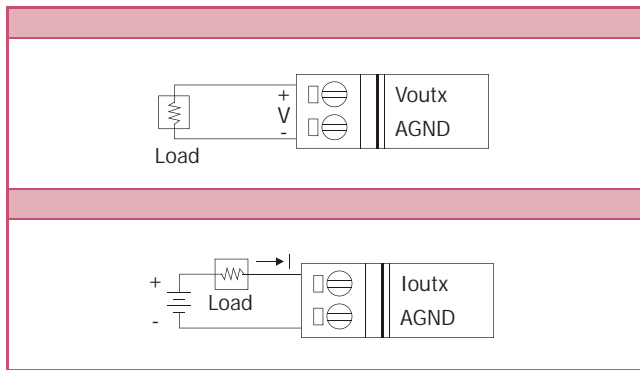


Pin Assignment

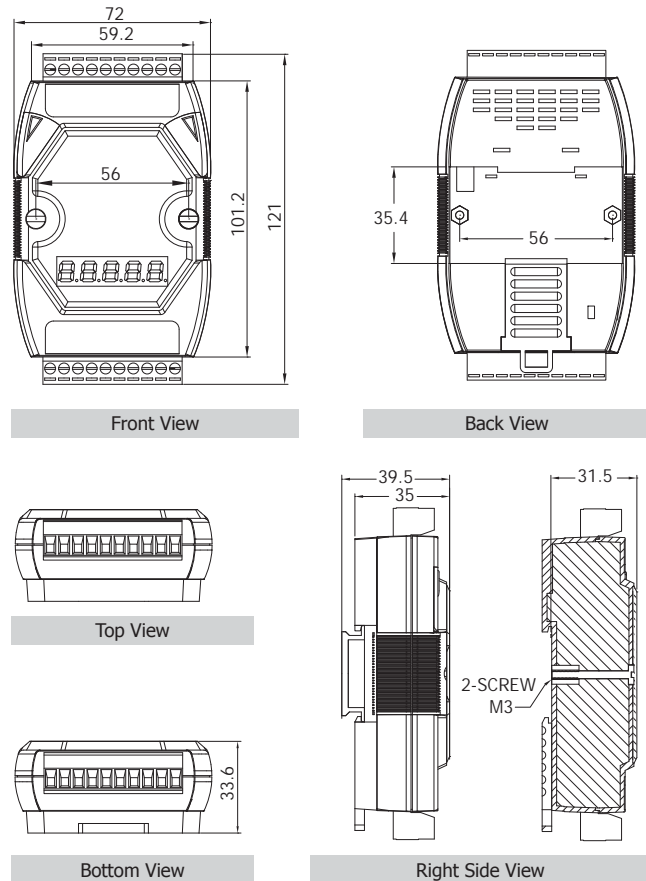
Terminal No.	Pin Assignment
01	--
02	--
03	--
04	--
05	--
06	INIT*
07	(Y)DATA+
08	(G)DATA-
09	(R)+Vs
10	(B)GND

Terminal No.	Pin Assignment
20	lout0
19	lout1
18	lout2
17	lout3
16	AGND
15	AGND
14	Vout3
13	Vout2
12	Vout1
11	Vout0

Wire Connection



Dimensions (Unit: mm)



Ordering Information

I-7024 CR	4-channel 14-bit Analog Output Module (RoHS)
-----------	--

Related Products

Converters	USB, RS-232, Fiber Optical to RS-485 Converters and Repeaters	Learning Kit	Starter Learning Kit
Power Supply	24 Vdc Power Supply	Application Books	Application Books Designed with Our Products
Relay Module	External Relay Modules for I-7000 DO Module	Data Logger Software	User Friendly Data Logger Software (free)