

I-8124W / I-87124 FAQ

Q1: How much time does the I8124_WriteOutputArea function cost with the I-8124W? (2013/10/05, Johney).....	2
Q2: How to connect the M12 connector with the I-8124W? (2013/11/02, Johney)	3
Q3: How to connect the DeviceNet slave which has 2-byte instance ID with the I-8124W? (2013/11/05, Johney).....	4



Q1: How much time does the I8124_WriteOutputArea function cost with the I-8124W? (2013/10/05, Johney)

Ans:

All APIs in the I-8124W use the critical-section (Lock & Un-Lock). That could guarantee that only one API would be access at the same time. If you use one API much frequently, it will influence the time of the I8124_WriteOutputArea function. The user can use the following code to estimate the time.

ex.

```
int Start = Environment.TickCount();  
    I8124_xxx(...)  
Int End = Environment.TickCount();
```

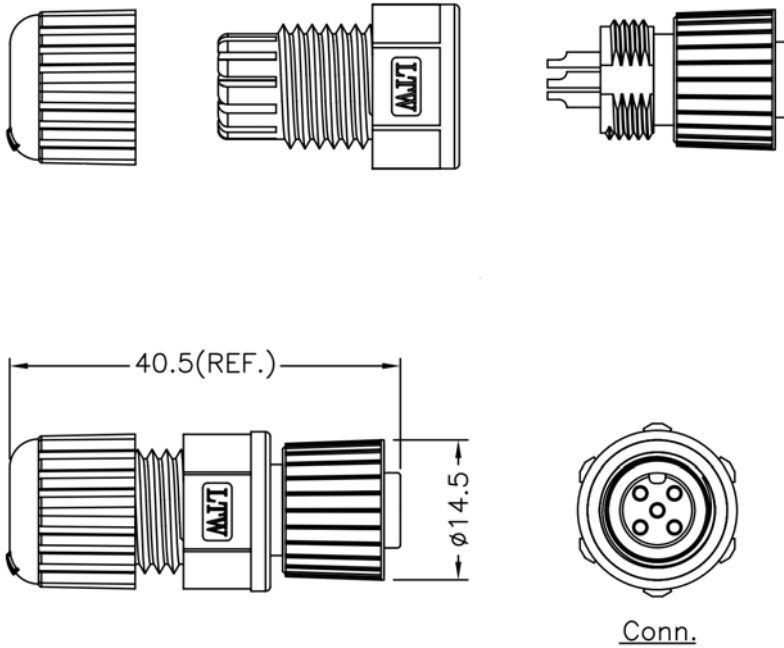
If you have found that the API become slow to response, please check which APIs have been called much frequently.

(2013/10/05, Johney)

**Q2: How to connect the M12 connector with the I-8124W?
(2013/11/02, Johney)**

Ans:

We have provided the M12 connector on the website. Here shows the information.

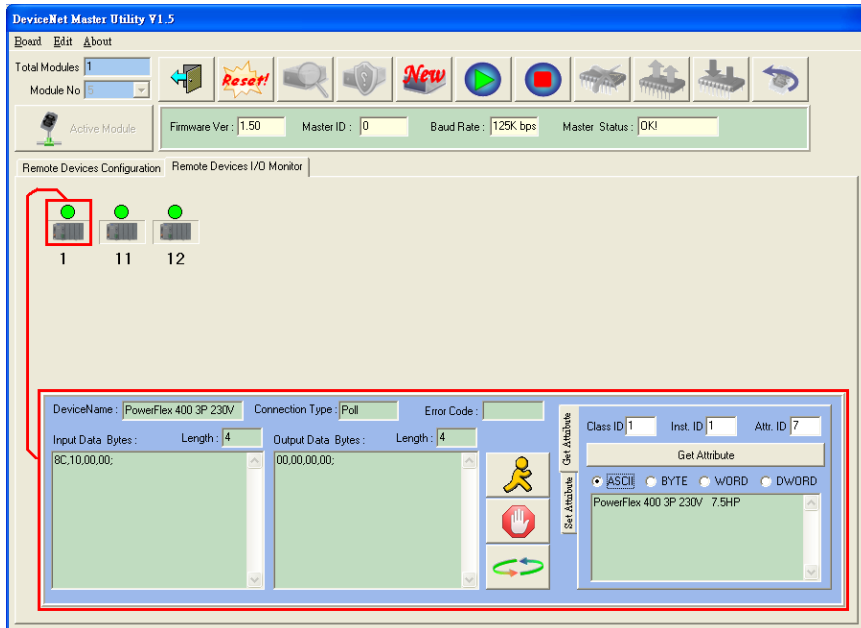


(2013/11/02, Johney)

Q3: How to connect the DeviceNet slave which has 2-byte instance ID with the I-8124W? (2013/11/05, Johney)

Ans:

We have provided the new firmware to support the 2-byte instance ID. Please update the firmware to v1.80 or newer. We have verified the firmware works fine by the AB inverter.



(2013/11/05, Johney)