



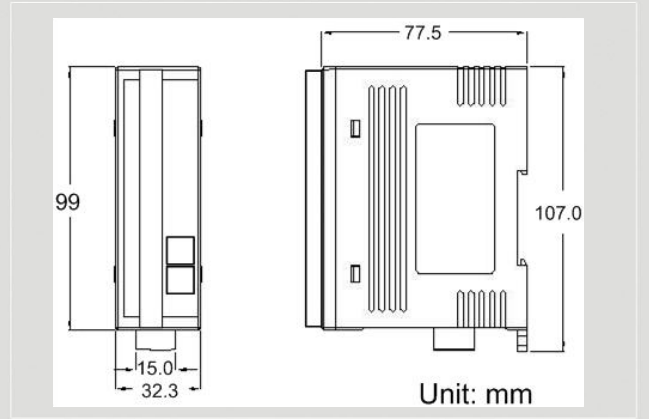
CCON Series Products



8-ch DI & 8-ch DO module of CCON Slave



CAN-2054



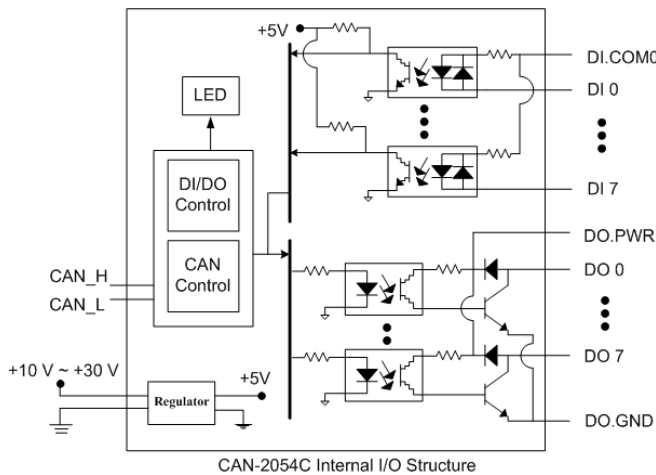
Dimensions

CAN-2054 module follows the CCON protocol that is developed by the ICP DAS Co., LTD, CAN-2054 has 8 isolated sink/source input channels and 8 isolated sink output channels. It can be used to various applications. By owing to the CCON masters of ICP DAS, you can quickly build a CCON network to approach your requirements.

Features

- Providing Pair-Connect function
- ESD Protection 4 KV Contact for each channel
- Support Power Supply +10 ~ +30 V_{DC}

Internal I/O Structure



I/O Pin & Wire Connection

Terminal No.	Pin Assignment	Input Type	ON State LED ON Readback as 1	OFF State LED OFF Readback as 0
01	DI.COM	Relay Contact	Relay On	Relay Off
02	DI0			
03	DI1			
04	DI2	TTL/CMOS Logic	Voltage > 10 V	Voltage < 4 V
05	DI3			
06	DI4			
07	DI5	NPN Output	Open Collector On	Open Collector Off
08	DI6			
09	DI7	PNP Output	Open Collector On	Open Collector Off
10	DO0			
11	DO1	Drive Relay	ON State LED ON Readback as 1	OFF State LED OFF Readback as 0
12	DO2		Relay Off	Relay On
13	DO3			
14	DO4	Resistance Load		
15	DO5			
16	DO6			
17	DO7			
18	DO.GND			
19	DO.GND			
20	DO.PWR			

CAN Pin & Baud Rate Rotary

CAN_V+ Pin 5

CAN_H Pin 4

CAN_Shield Pin 3

CAN_L Pin 2

CAN_GND Pin 1

Baud rate rotary switch

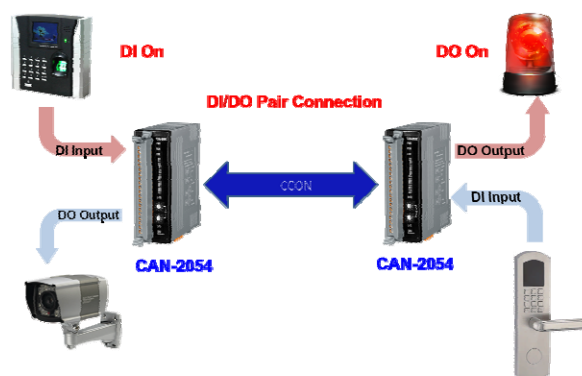
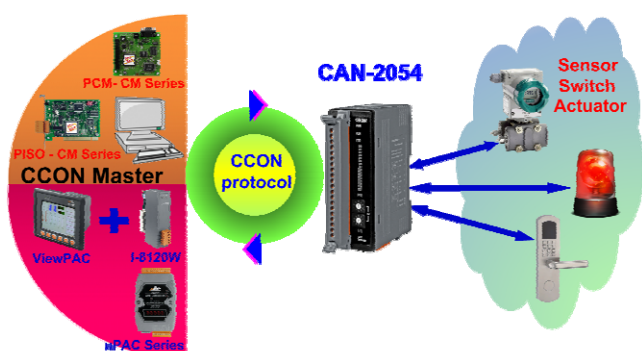
Switch Value	Pair-connection	Baud Rate
0	8	10 kbps
1	9	20 kbps
2	A	50 kbps
3	B	125 kbps
4	C	250 kbps
5	D	500 kbps
6	E	800 kbps
7	F	1000 kbps



Hardware Specifications

CAN Interface	
Connector	5-pin screwed terminal block (CAN_GND, CAN_L, CAN_SHLD, CAN_H, CAN_V+)
Baud Rate (bps)	10 k, 20 k, 50 k, 125 k, 250 k, 500 k, 800 k, 1 M
Terminator Resistor	Switch for 120 Ω terminator resistor
Node ID	1~99 selected by rotary switch
Protocol	CCON ver2.00
Digital Input	
Channels	8 (Sink / Source)
On Voltage Level	+3.5 ~ +30 V _{DC}
Off Voltage Level	+1 V _{DC} Max.
Response Time	250 us
ESD Protection	4 kV Contact for each channel
Digital Output	
Channels	8 (Sink)
Load Voltage	+5 ~ +30 V _{DC}
Output Type	Open-Collector
Reaction Time	200 us
LED	
Round LED	PWR LED, RUN LED, ERR LED
I/O LED	8 LEDs for DI and DO individually, and 1 LED as terminal resistor indicator
Power	
Input range	Unregulated +10 ~ +30 V _{DC}
Power Consumption	1.5 W
Mechanism	
Installation	DIN-Rail
Dimensions	32.3 mm x 99 mm x 77.5 mm (W x L x H)
Environment	
Operating Temp.	-25 ~ +75 °C
Storage Temp.	-30 ~ +80 °C
Humidity	10 ~ 90% RH, non-condensing

Applications



Ordering Information

CAN-2054

CCON module of 8-channel Digital Input and 8-channel Digital Output