

PROFIBUS Converter

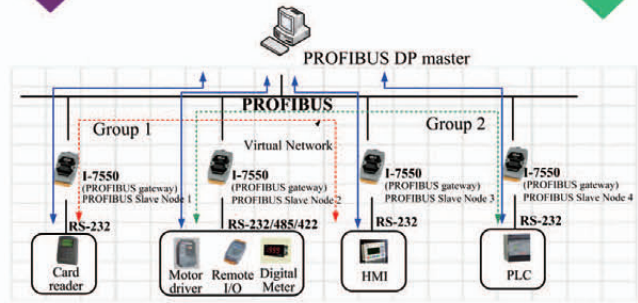
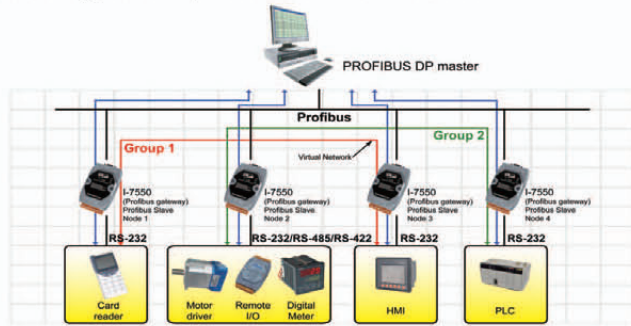
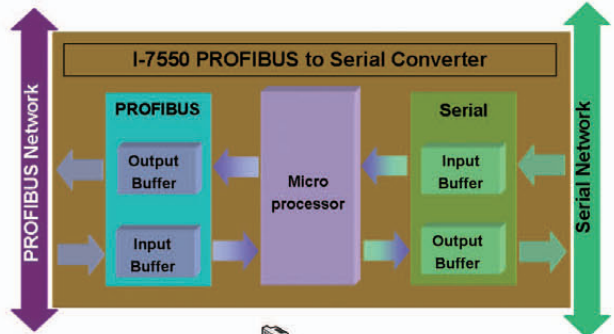
PROFIBUS to RS-232/485/422 Converter

I-7550 CR

I-7550 converter is specially designed for the slave device of PROFIBUS DP protocol. It offers RS-232, RS-422, and RS-485 three kinds of communication way. With the Hybrid COM 1 design, users can readily choose one type of com port to use. By using this module, users can put their RS-232/422/485 devices into PROFIBUS network very easily.



- ✓ Protocol & Hierarchy: DP-V0 Slave
- ✓ Detect transmission rate (9.6 to 12000 kbps) on PROFIBUS automatically
- ✓ 128 bytes Max. input data length
- ✓ 128 bytes Max. output data length
- ✓ PROFIBUS address 0 ~ 126 set by DIP switch
- ✓ Support several kinds of baud for COM1 from 1.2 ~ 115.2 kbps
- ✓ Network Isolation Protection: 2500 V_{rms} High Speed iCoupler
- ✓ 3000 V_{DC} isolation protection on PROFIBUS side



PROFIBUS Gateway

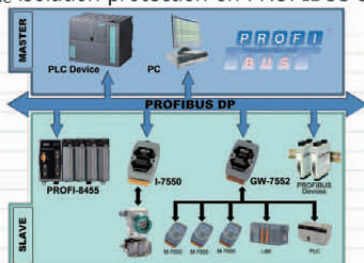
PROFIBUS/Modbus RTU Gateway

GW-7552 CR

GW-7552 Gateway is specially designed for the slave device of PROFIBUS DP protocol. It allows the PROFIBUS master to access the Modbus devices.



- ✓ Protocol & Hierarchy: DP-V0 Slave
- ✓ Detect transmission rate (9.6 to 12000 kbps) on PROFIBUS automatically
- ✓ 128 bytes Max. input data length
- ✓ 131 bytes Max. output data length
- ✓ Support Modbus Master and Modbus Slave both mode
- ✓ Support RTU and ASCII Modbus format
- ✓ PROFIBUS address 0 ~ 126 set by DIP switch
- ✓ Support several kinds of baud for COM1 from 2.4 ~ 115.2 kbps
- ✓ Network Isolation Protection: 2500 V_{rms} High Speed iCoupler
- ✓ 3000 V_{DC} isolation protection on PROFIBUS side



PROFIBUS/Modbus TCP Gateway

GW-7553 CR

GW-7553 Gateway is specially designed for the slave device of PROFIBUS DP protocol. It allows the PROFIBUS master to access the Modbus TCP devices.



- ✓ Protocol & Hierarchy: DP-V0 & DP-V1 Slave
- ✓ Detect transmission rate (9.6 to 12000 kbps) on PROFIBUS automatically
- ✓ Support one 10/100 Base-TX Ethernet port
- ✓ Support one RS-232 port (3-wire or 5-wire)
- ✓ 240 bytes Max. input data length
- ✓ 240 bytes Max. output data length
- ✓ Support Modbus TCP/RTU/ASCII master/slave protocol
- ✓ PROFIBUS address 0 ~ 126 set by DIP switch
- ✓ Network Isolation Protection: 2500 V_{rms} High Speed iCoupler
- ✓ 3000 V_{DC} isolation protection on PROFIBUS side

