

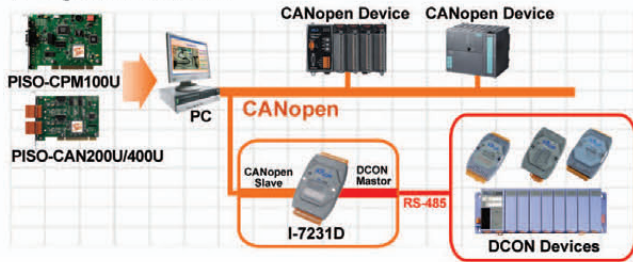
CANopen Gateway

CANopen Slave/DCON Master Gateway

I-7231D CR I-7231D is a CANopen slave device. So, it can produce or consume the PDO messages, receive the SDO message with proper responses, and deal with the NMT messages from NMT master.



- ✓ CANopen Version: DS-301 v4.02 , DSP-401 v2.01
- ✓ Error Control: Node Guarding protocol
- ✓ 2500 V_{rms} photo couple isolation on the CAN side
- ✓ Jumper for 120 Ω terminator resistor of CAN bus
- ✓ Watchdog inside
- ✓ NMT: Slave
- ✓ PDO: Event-triggered, RTR, cyclic, acyclic SYNC and dynamic PDO Mapping
- ✓ No of SDOs: 1 server, 0 client
- ✓ Product EDS file dynamically by utility
- ✓ Support Max. 15 I-7000/I-87K I/O series modules
- ✓ 1 kV galvanic isolation

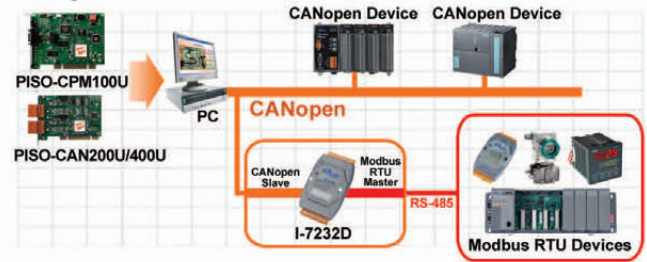


CANopen Slave/Modbus RTU Master Gateway

I-7232D CR I-7232D is one of ICP DAS CAN bus products. The device allows a CANopen master to access the Modbus slave devices on some Modbus RTU network.



- ✓ CANopen Version: DS-301 v4.02 , DSP-401 v2.01
- ✓ Error Control: Node Guarding protocol
- ✓ 2500 V_{rms} photo couple isolation on the CAN side
- ✓ Jumper for 120 Ω terminator resistor of CAN bus
- ✓ Watchdog inside
- ✓ NMT: Slave
- ✓ PDO: Event-triggered, RTR, cyclic, acyclic SYNC and dynamic PDO Mapping
- ✓ No of SDOs: 1 server, 0 client
- ✓ Product EDS file dynamically by utility
- ✓ Support Max. 10 Modbus RTU series modules
- ✓ 1 kV galvanic isolation



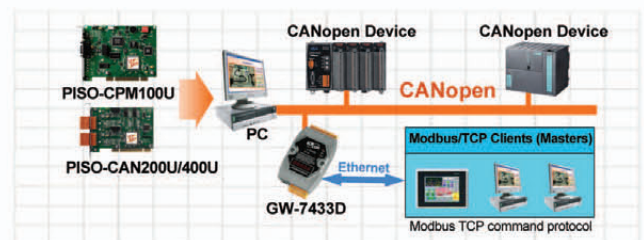
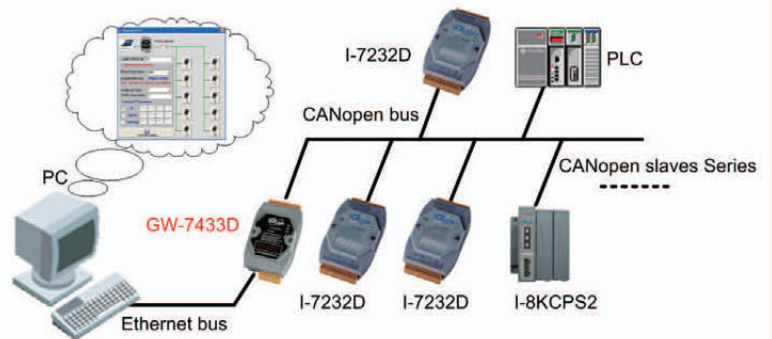
CANopen Master/Modbus Server Gateway

GW-7433D CR GW-7433D is a solution that provides a communication transformation between CANopen protocol and Modbus/TCP protocol. It solves a mission-critical problem, and connecting an existed CANopen network with Ethernet-base master device as long as this master device supports Modbus/TCP protocol. It enables CANopen networks to be coupled together with the Internet/Ethernet, whereby remote monitoring and controlling is achieved.

NEW



- ✓ CANopen Version: DS-301 v4.02
- ✓ Error Control: Node Guarding protocol
- ✓ Emergency Message: Yes
- ✓ 2500 V_{rms} photo couple isolation on the CAN side
- ✓ Jumper for 120 Ω terminator resistor of CAN bus
- ✓ Watchdog inside
- ✓ NMT: Master
- ✓ PDO: Event-triggered, RTR
- ✓ Support Max. 50 TxPDOs, 50 RxPDOs, 15 SDOs to SDO server
- ✓ Allow 5 Modbus TCP masters to access GW-7433 simultaneously
- ✓ Configuration by utility via Ethernet
- ✓ 1 kV galvanic isolation



CANopen Introduction & Products

