
WinPAC ISaGRAF PAC

WinPAC-8xx7 WP-8xx7 WP-8147/8447/8847/8137/8437/8837
WinPAC-8xx6 WP-8xx6 WP-8146/8446/8846/8136/8436/8836

1. WP-8xx7/8xx6 0 ~ 7 I-8K I-87K I/O
WP-8xx7 CD: \napdos\isagraf\wp-8xx7\chinese_manu\
%o& @ã } ^-þ ø [ÿ] å æ c æ• @^ ^ c È] å ~ +
2. WinPAC-8xx7 IP (DHCP)
3. WP-8xx7 LAN2 LAN2 Disable (D)
4. NS-205 NS-208 WP-8xx7/8xx6

- :
- ISaGRAF: 3.4x 3.5x IEC 61131-3 LD, ST, FBD, SFC, IL FC
 - ISaGRAF: Microsoft EVC++4.0 VS.NET 2008/2005/2003 (VB.net, C#.net)

- = **GU; F5**: ' 9 b [`] g \ `: I g Y f Ð g ` A U b i U`
WinPAC-8xx7 CD: \napdos\isagraf\wp-8xx7\english_manu\ "user_manual_i_8xx7.pdf"
"user_manual_i_8xx7_appendix.pdf"()

- **ISaGRAF** :
WinPAC-8xx7 CD: \napdos\isagraf\wp-8xx7\chinese_manu\ :
"chinese_user_manual_i_8xx7.pdf" "chinese_user_manual_i_8xx7_appendix.pdf"

- : http://www.icpdas.com/products/PAC/i-8000/isagraf_c.htm

E-mail service@icpdas.com .
FAQ : <http://www.icpdas.com/faq/isagraf.htm>

: Chun Tsai; : Eva Li
2009 7

WINPAC ISAGRAF PAC	1
.....	1
.....	1
.....	1
.....	1
.....	1
.....	1
.....	2
.....	6
WP-8XX7 I/O	7
ISAGRAF PAC	12
: WP-8137/ 8437/ 8837/ 887 8447/ 8847	13
1	1-1
1.1 SoftGRAF HMI : HMI	1-1
1.2 eLogger HMI	1-2
1.3 ()	1-3
1.4 () RS-485 I/O	1-3
1.5 Modbus Master TCP/IP	1-4
1.6 Modbus Master : RTU, ASCII, RS232/485/422	1-4
1.7 Modbus Slave : RTU/TCP	1-5
1.8 TCP/IP Server UDP Client/Server	1-5
1.9 (Web HMI) !	1-6
1.10 Email	1-6
1.11	1-7
1.12 I/O	1-7
1.13 SMS:	1-8
1.14	1-8
1.15	1-9
1.16	1-9
1.17 FRnet I/O	1-10
1.18 CAN/CANopen	1-10
1.19 VIP	1-11
1.20 ISaGRAF PAC PM-2133/2134	1-11
1.21 ZigBee	1-12
1.22 GPS : ISaGRAF PAC I-87211W GPS-721	1-13
1.23 () - Ethernet I/O	1-14
1.24 Fbus Ebus	1-14
1.25 I-87K I/O (Hot-Swap)	1-15
1.26	1-15
1.27 HART	1-16

2		SOFT-GRAF HMI	2-1
2.1	1	ISaGRAF.....	2-1
2.1.1		:	2-3
2.1.2		<i>Windows NT</i> :	2-4
2.1.3		<i>Windows 2000</i> :	2-4
2.1.4		<i>Windows Vista Windows 7 (32bit)</i>	2-6
2.1.5		<i>Windows 7 (64bit)</i>	2-8
2.1.6		<i>Variable Arrays</i>	2-8
2.2	2	ICP DAS Utilities For ISaGRAF.....	2-9
2.3	3	2-10
2.4	eLoggerHMI	ISaGRAF	2-10
2.5	SoftGRAF HMI	ISaGRAF	2-11
3		WEB HMI	3-1
3.1		Web HMI	3-1
3.2		Web HMI	3-2
3.2.1	1	3-2
3.2.2	2	3-2
3.2.3	3	<i>ISaGRAF</i>	3-3
3.2.4	4	<i>WinPAC</i>	3-7
3.2.5	5	<i>Web HMI</i>	3-7
4		WEB HMI	4-1
4.1		ISaGRAF	4-1
4.1.1		<i>ISaGRAF</i>	4-2
4.1.2		<i>ISaGRAF</i>	4-3
4.1.3		<i>ISaGRAF</i>	4-3
4.1.4		<i>ISaGRAF</i>	4-4
4.1.5		<i>Modbus</i>	4-8
4.1.6		<i>LD "LD1"</i>	4-9
4.1.7		<i>"LD1"</i>	4-10
4.1.8		<i>I/O</i>	4-14
4.2		4-17
4.3		4-21
4.4		4-26
4.4.1	1	<i>Web HMI</i>	4-26
4.4.2	2	<i>Main.htm</i>	4-27
4.4.3	3	<i>Main.htm</i>	4-32
4.4.4	4	<i>Web HMI PAC</i>	4-39
5		WEB HMI	5-1
5.1		Web HMI	5-1
5.2		<i>Login.htm</i>	5-2
5.3		<i>Menu.htm</i>	5-4
5.4		<i>Main.htm</i>	5-6
5.4.1		<i>Main.htm</i>	5-6
5.4.2		<i>refresh_data()</i>	5-8
5.4.3		5-14
5.5		(multi-pages).....	5-19

5.5.1	Level2	Level3	5-19
5.5.2			5-20
5.6			5-21
6	VB.NET 2008	/	ISAGRAF	6-1
6.1			6-1
6.2			6-2
6.3			6-5
6.4	QuickerNET.DLL		6-6
6.4.1	(Digital)	/	6-6
6.4.2	(Analog)	/	6-7
7	EVC++	/	ISAGRAF	7-1
8	INDUSOFT	/	ISAGRAF	8-1
9	FAQ		9-1
9.1			9-1
9.2	ISaGRAF		9-4
9.3	FAQ:		9-12
10	C#.NET 2008	/	ISAGRAF	10-1
10.1			10-1
10.2			10-2
10.3			10-5
10.4	QuickerNET.DLL		10-6
10.4.1	Digital	/	10-6
10.4.2	Analog	/	10-7
A			1
A.1			1
A.2	NET-ID	Modbus	RTU	2
A.3	WP-8xx7	IP	3
A.4	PC	WP-8xx7	4
A.5	COM1/COM2/COM3/COM4		5
A.6	PC	WP-8xx7	COM2	COM3	6
A.7	WP-8xx7	ISaGRAF	7
A.8	I-7000	I-87K	I/O	8
A.9	HMI		9
A.10	Modbus		10
B	WINPAC	ISAGRAF	11
C			15
D	/	WP-8XX7	LAN2	18
E	RS-232/	485/	422	19
F	ISAGRAF		23
G	MODBUS	RTU	SALVE	24

H	ISAGRAF	26
I	RS-232 /USB	27
J	ISAGRAF PC	ISAGRAF PAC ?.....	29
K	WINPAC	30

ISaGRAF

:

WP-8xx7 CD: \napdos\isagraf\wp-8xx7\english_manu\
"user_manual_i_8xx7.pdf" "user_manual_i_8xx7_appendix.pdf"()
http://www.icpdas.com/products/PAC/i-8000/getting_started_manual.htm

ISaGRAF

:

WP-8xx7 CD: \napdos\isagraf\wp-8xx7\chinese_manu\
"chinese_user_manual_i_8xx7.pdf" "chinese_user_manual_i_8xx7_appendix.pdf"()
http://www.icpdas.com/products/PAC/i-8000/getting_started_manual.htm

: NS-205/NS-208

http://www.icpdas.com/products/Switch/switch_list_c.htm



Model: NS-205



Model: NS-208

:

http://www.icpdas.com/products/Accessories/power_supply/power_list.htm

DP-660 : 24 V / 2.5 A , 5 V / 0.5 A (DIN-Rail mounting)

DP-665 : 24 V / 2.5 A , 5 V / 0.5 A

DP-1200 : 24 V / 5 A



Model: DP-660



Model: DP-1200



Model: DP-665

FAQ

:

www.icpdas.com > FAQ > Software > ISaGRAF Ver.3 (Chinese) ()
<http://www.icpdas.com/faq/isagraf.htm>

WP-8xx7 I/O

WP-8x47

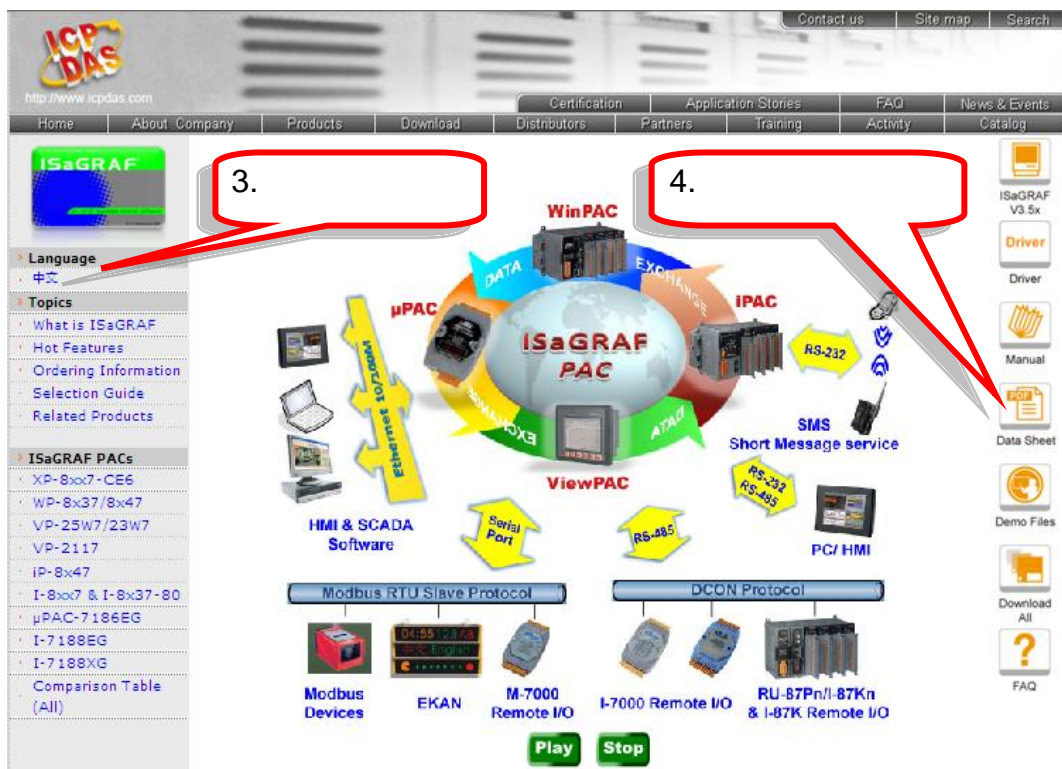
I-8K/I-87K
I/O

I/O

RS-485/FRnet

I/O

[ISaGRAF](#)



I/O : (Parallel Bus)

I-8K

www.icpdas.com > > >

- 8K & 87K I/O

I-8K	
I-8014W	16-bit 250K sampling rate 8/16-ch. analog input module (The scan rate cannot reach 250K when using in the ISaGRAF PAC)
I-8017HW	8-ch. Differential or 16-ch. Single-ended, 14-bit, High Speed Analog Input Module. (current input require external 125 K resistor) (The scan rate cannot reach 100K when using in the ISaGRAF PAC)
I-8024W	4-ch. Isolated Analog Output Module (+/-10 V, 0 ~ +20 mA)
I-8K	
I-8037W	16-ch. Isolated Open Collector Output Module
I-8040W	32-ch. Isolated Digital Input Module
I-8040PW	32-ch. Isolated Digital Input with Low Pass Filter Module
I-8041W	32-ch. Isolated Open Collector Digital Output Module (Sink)
I-8041AW	32-ch. Isolated Open Collector Digital Output Module (Source)
I-8042W	16-ch. Isolated Digital Input & 16-ch. Isolated Open Collector Digital Output Module
I-8046W	16-ch. Isolated Digital Input Module
I-8050W	16-ch. Universal Digital I/O Module
I-8051W	16-ch. Non-isolated Digital Input Module
I-8052W	8-ch. Differential Isolated Digital Input Module
I-8053W	16-ch. Isolated Digital Input Module
I-8053PW	16-ch. Isolated Digital Input with Low Pass Filter Module
I-8054W	8-ch. Isolated Digital Input Module & 8-ch. Isolated Open Collector Digital Output Module
I-8055W	Non-isolated 8-ch. Digital Logic Input Module & 8-ch. Open Collector Digital Output Module
I-8056W	16-ch. Non-isolated Open Collector Output Module
I-8057W	16-ch. Isolated Open Collector Output Module
I-8058W	8-ch. Differential Isolated Digital Input Module, Max. AC/DC Input : 250V
I-8060W	6-ch. Relay Output Module, AC: 0.6 A @ 125 V , 0.3 A @ 250 V; DC: 2 A @ 30 V
I-8063W	4-ch. Differential Isolated digital input & 4-ch. Relay output module, AC : 0.6 A @ 125 V ; 0.3 A @ 250 V
I-8064W	8-ch. Power Relay Output Module, AC: 5 A @ 250 V, DC: 5 A @ 30 V
I-8068W	4-ch. Form-A, 5 A @ 250 V _{AC} /28 V _{DC} & 4-ch. Form-C, 5 A (NO) /3 A (NC) @ 277 V _{AC} /30 V _{DC} Relay Output Module
I-8069W	8-ch. PhotoMOS Relay Output Module, Max. AC/DC: 1 A @ 60 V
I-8K /	
I-8084W	4-ch. Encoder, can be dir/pulse, or up/down or A/B phase (Quad. mode), Not support Encoder Z-index
I-8088W	8-ch. PWM Output and 8-ch. isolated DI Module, software support 1 Hz ~ 100 kHz (non-continuous).

I-8K	
I-8093W	3-axis Encoder Module, max. 1M Hz for quadrant input mode, max. 4M Hz for pulse/direction and cw/ccw input model
I-8090W	3-axis Encoder Module
I-8091W	2-axis Stepping/Servo Motor Control Card without encoder input
I-8092F	High Speed 2-axis Motion Control Module, with FRnet Master (For XP-8xx7-CE6 only)
I-8094	High Speed 4-axis Motion Control Module (For XP-8xx7-CE6 only)
I-8094F	High Speed 4-axis Motion Control Module, with FRnet Master (For XP-8xx7-CE6 only)
I-8K	
I-8112iW	2-ch. Isolated RS-232 Expansion Module
I-8114W	4-ch. non-isolated RS-232 Expansion Module
I-8114iW	4-ch. Isolated RS-232 Expansion Module
I-8142iW	2-ch. Isolated RS-422/485 Expansion Module
I-8144iW	4-ch. Isolated RS-422/485 Expansion Module
I-8172W	2-port FRnet Module
I-8K CAN Bus	
I-8123W	1 Port High Performance CANopen Master Module

RS-485 I/O : www.icpdas.com > > > **I-87K** : **I-8K & 87K I/O**

I-87K	
I-87005W	8-ch. Thermistor input and 8-ch. digital output module
I-87013W	4-ch., 16-bit, 10 Hz (Total), 2/3/4 Wire RTD Input Module with Open Wire Detection
I-87015W	7-ch., 16-bit, 12 Hz (Total), RTD Input Module with Open Wire Detection (for short sensor distance)
I-87015PW	7-ch. RTD Input Module with 3-wire RTD lead resistance elimination and with Open Wire Detection (for long sensor distance)
I-87017RW	8-ch. Differential , 16/12-bit, 10/60 Hz (Total) Analog Input Module with 240 V _{rms} Over Voltage Protection, Range of -20 ~ +20 mA Requires Optional External 125 Ω Resistor
I-87017RCW	8-ch. Differential , 16/12-bit, 10/60 Hz(Total) Current Input Module
I-87017W	8-ch. Analog Input Module
I-87017W-A5	8-ch. High Voltage Input Module
I-87017DW	8-ch. Analog Input Module (Gray Cover) (RoHS)
I-87017ZW	10/20-ch. Analog Input Module with High Voltage Protection (RoHS)
I-87018PW	8-ch. Thermocouple Input Module (Gray Cover) (RoHS)
I-87018RW	8-ch. Thermocouple Input Module. Recommend to use the better I-87018Z.
I-87018W	8-ch. Thermocouple Input Module. Recommend to use the better I-87018Z.
I-87018ZW	10-ch. Differential , 16-bit, 10 Hz (Total), Thermocouple Input Module with 240 V _{rms} Over Voltage Protection, Open Wire Detection, Range of +/-20 mA, 0~20 mA, 4~20 mA requires Optional External 125 Ω Resistor

I-87019PW	8-ch. Universal Analog Input Module (RoHS) (With a CN-1824 Daughter Board)
I-87019RW	8-ch. Diff. , 16-bit, 8 Hz (Total), Universal Analog Input Module with 240 V _{rms} Over Voltage Protection, Open Wire Detection (V, mA, Thermocouple; Range of -20 ~ +20 mA need to set Jumper on board)
I-87019ZW	10-ch. Universal Analog Input Module (Gray Cover) (RoHS), Includes the I-87019ZW Module and a DB-1820 Daughter Board
I-87024CW	4-ch. 12-bit channel to channel isolated current output module with open-wire detection
I-87024DW	4-ch. 14-bit analog output module
I-87024RW	4-ch. 14-bit analog output module
I-87024W	4-ch. 14-bit analog output module (0 ~ +5 V, +/-5 V, 0 ~ +10 V, +/-10 V, 0 ~ +20 mA, +4 ~ +20 mA)
I-87028CW	8-ch. 12-bit current output module
I-87H17W	8-ch. analog input module and HART master module.
I-87K Multifunction	
I-87026PW	6-ch. Analog Input, 2-ch. Analog Output, 2-ch. Digital Input and 2-ch. Digital Output Module (RoHS)
I-87K	
I-87037W	16-ch. source type Isolated Digital Output Module(RoHS)
I-87040W	32-ch. Isolated Digital Input Module
I-87040PW	32-ch. Isolated Digital Input Module with 16-bit Counters (RoHS)
I-87041W	32-ch. Sink Type Open Collector Isolated Digital Output Module
I-87046W	16-ch. Non-Isolated Digital Input Module for Long Distance Measurement
I-87051W	16-ch. Non-Isolated Digital Input Module
I-87052W	8-ch. Differential , Isolated Digital Input Module
I-87053PW	16-ch. Isolated Digital Input Module with 16-bit Counters
I-87053W	16-ch. Isolated Digital Input Module
I-87053W-A5	16-ch. 68 ~ 150 V _{DC} Isolated Digital Input Module
I-87053W-A C1	16-ch. AC Isolated Digital Input Module with 16-bit Counters
I-87053W-E5	16-channel 68-150 V _{DC} solated Digital Input Module with 16-bit Counters
I-87054W	Isolated 8-ch. DI and 8-ch. Open Collector DO Module
I-87055W	Non-Isolated 8-ch. DI and 8-ch. Open Collector DO Module
I-87057W	16-ch. Open Collector Isolated Digital Output Module
I-87057PW	16-ch. Open Collector Isolated Digital Output Module
I-87058W	8-ch. 80~250 V _{AC} Isolated Digital Input Module
I-87059W	8-ch. Differential 10-80 V _{AC} Isolated Digital Input Module
I-87061W	16-ch. Relay Output Module (RoHS)
I-87063W	4-ch. Differential Isolated Digital Input and 4-ch. Relay Output Module 5 A (NO) / 3 A(NC) @ 5 ~ 24 V _{DC} ; 5 A(NO) / 3 A(NC) @ 0 ~ 250 V _{AC}
I-87064W	8-ch. Relay Output Module, 5 A (47~63 Hz) @ 0~ 250 V _{AC} ; 5 A @ 0~ 30 V _{DC}
I-87065W	8-ch. AC SSR Output Module, AC: 1.0 A _{rms} @ 24 ~ 265 V _{rms}
I-87066W	8-ch. DC SSR Output Module , DC: 1.0 A _{rms} @ 3 ~ 30 V _{DC}
I-87068W	4-ch. Form-A Relay Output and 4-ch. Form-C Relay Output Module ; Form-A: 8 A @ 250 V _{AC} ; 8 A @ 28 V _{DC} ; Form-C: 5 A (NO) / 3 A (NC) @ 277 V _{AC} ; 5 A(NO) / 3 A(NC) @ 30 V _{AC}

I-87069W	8-ch. PhotoMOS Relay Output Module, Max. AC/DC: 0.13 A @ 350 V
I-87K /	
I-87082W	2-ch. Counter/Frequency Module, Isolated or Non-isolated Inputs
I-87K PWMS	
I-87088W	8-ch. PWM outputs, software support 1 Hz~100 kHz, (non-continuous), duty: 0.1 ~ 99.9%
I-87K GPS	
I-87211W	Time-Synchronization and GPS module for getting UTC/local time and local Longitude/Latitude

RS-485 I/O	
I-7000 DCON Protocol	www.icpdas.com.tw > > > I/O / > RS-485 Remote I/O Modules > I-7000 Modules
M-7000 Modbus RTU and DCON Protocol	www.icpdas.com.tw > > > I/O / > RS-485 Remote I/O Modules > M-7000 Modules
tM-7000 DCON, Modbus RTU, Modbus ASCII Protocol	www.icpdas.com.tw > > > I/O / > RS-485 Remote I/O Modules > tM Series Module
RS-485 I/O	
RU-87P1/2/4/8	www.icpdas.com.tw > > > I/O / > Remote I/O Expansion Unit > RS-485 Bus
I-87K1/4/5/8/9	www.icpdas.com.tw > > > I/O / > Remote I/O Expansion Unit > RS-485 Bus

Ethernet I/O	
ET-7000 Web based	www.icpdas.com.tw > > > I/O / > Ethernet I/O > ET-7000
PET-7000 PoE Web based	www.icpdas.com.tw > > > I/O / > Ethernet I/O > PET-7000
tPET/tET-7000 Modbus TCP based (PoE)	www.icpdas.com.tw > > > I/O / > Ethernet I/O > PETL-7000 & tPET/tET
Ethernet I/O	
I-8KE4/8-MTCP Modbus/TCP based	www.icpdas.com.tw > > > I/O / > Ethernet I/O > I-8KE4/8-MTCP

ISaGRAF PAC

ISaGRAF

1. www.icpdas.com

2. ISaGRAF

3.

4.

ISaGRAF PAC

WinPAC, μPAC, IPAC, ViewPAC

DATA, EXCHANGE, ATAP, RS-232, RS-485, RS-485, PC/HMI, SMS Short Message service

HMI & SCADA Software, Ethernet I/O, Serial Port

Modbus RTU Slave Protocol, DCON Protocol

Modbus, EKAN, M-7000 Remote I/O, I-7000 Remote I/O, RU-87Pn/I-87Kn & I-87K Remote I/O

ISaGRAF V3.5x, Driver, Manual, Data Sheet, Demo Files, Download All, FAQ

	WP -8137	WP -8437	WP -8837	WP -8147	WP -8447	WP -8847	WP -8057	WP -8357	WP -8757
(DIP Switch)	-	(8 bits)		-	(8 bits)		-	(8 bits)	
Audio	-								
VGA									
VGA	; 640 x 480, 800 x 600 1024 x 768			; 640 x 480, 800 x 600					
Ethernet	RJ-45 x 2, 10/100 BaseTX					(Auto -negotiating, LED indicators)			
USB 1.1 (host)	2			1			2		
USB 1.1 (client)	-						1		
COM 0	I-87K								
COM 1	RS-232 (Rx, Tx, GND) ();								
COM 2	RS-485 (Data+, Data-) self-tuner ; WP -8137, WP -8147 : 2500 VDC; : 3000 VDC								
COM 3	-		-						
	RS-232/RS-485 (RS-232: Rx, Tx, CTS, RTS, GND; RS -485: Data+, Data -);								
COM 4	-		-						
	RS-232 (Rx, Tx, CTS, RTS, DSR, DTR, CD, RI, GND);								
COM 5	-							-	
	RS-232 (Rx, Tx, GND);								
I/O									
	1	4	8	1	4	8	0	3	7
	:			I-8K		I-87K			
(W x L x H)	95 mm x 132 mm x 111 mm: WP -8137, WP-8147 137 mm x 132 mm x 111 mm: WP -8057 231 mm x 132 mm x 111 mm: WP -8437, WP-8447, WP-8357 355 mm x 132 mm x 111 mm: WP -8837, WP-8847, WP-8757								
	(DIN -Rail)					(Wall Mounting)			
	-25 ~ +75°C								
	-30 ~ +80°C								
	10 ~ 90% RH ()								
	+10 ~ +30 VDC								
	1 kV								

	WP -8137	WP -8437	WP -8837	WP -8147	WP -8447	WP -8847	WP -8057	WP -8357	WP -8757
	(1 A @ 24 VDC)								
	8 W	25 W	25 W	8 W	30 W	30 W	8 W	30 W	30 W
	7.3 W	9.1 W	9.6 W	7.3 W	9.1 W	9.6 W	7.3 W	9.1 W	9.6 W

WP-8xx7 ISaGRAF :

()									
(Net ID)	1~255,									
Modbus TCP/IP Master	100	Modbus TCP/IP Slave						(FAQ -113)		
Modbus RTU/ASCII Master	10	: COM1 ~ 14 (*) (Modbus Slave).								
Modbus RTU Slave	5	: COM1, COM2/3 , COM4 ~ COM8 (*) (ISaGRAF , PC/ /OPC Server).								
Modbus TCP/IP Slave	2	Modbus TCP/IP Slave ISaGRAF PC/ LAN1 LAN2 32 (WP-8xx7 1 PC/HMI, 32 PC/HMI; 2 PC/HMI, 16 PC/HMI; ...) PC/HMI.								
Web HMI	IE									
	COM1 ~ COM14 (*)									
I-7000 I-87K RS-485 I/O	COM2 ~ 3 + I-87K I/O 255	I-7000/87K I/O	I/O	I-7000 I/O + I-87K I/O	I-87Kn					
M-7000 Modbus I/O	10	RS-485	(COM1 ~ 14) (*)				32	M-7000		
Modbus TCP/IP I/O	LAN2	ICP DAS Ethernet I/O : I-8KE4-MTCP LAN1 Ethernet I/O (LAN1 LAN2 IP IP) (FAQ-042)			I-8KE8-MTCP.		LAN2			
FRnet I/O	8	I-8172W	(0 ~ 7),		FRnet I/O	FR-2053, FR-2057, FR-32R, FR-32P. (FAQ -048).		I-8172W	256	
	DI	256	DO							
Email	Ethernet port Email.									
Ebus	LAN2	ICP DAS ISaGRAF								
SMS:	WP -84x7/88x7	COM4	WP -81x7	COM1/COM5			GSM Modem (*)			
	GSM Modem: GTM -201-RS232 (850/900/1800/1900 GSM/GPRS									

		Modem)	GSM/GPRS Modem		
MMICON/LCD		COM4	COM5	ICP DAS	MMICON. (*)
UDP Server	UDP	LAN1	LAN2	UDP Server	UDP Client
Client :		UDP / :			PC/HMI
		RXTX Driver.			InduSoft
TCP Client :		LAN1	LAN2	TCP Client	PC/HMI
		server / :			TCP
		RXTX Driver			InduSoft
GPRS/SMS		I-8212W (2G/3G) / , GPRS			
		email "Ftp Client" (FAQ -151) "TCP Client" / "UDP Server" / "UDP Client" (FAQ -143)			
SQL Client		SQL Client			Microsoft SQL Server (2000 SP3, 2005, 2008)
()		(Redundant System) 2 Active IP,			
		PAC	LAN1	LAN2	1 PC/ HMI/ SCADA
		PC/HMI/SCADA			PAC
		2 Active IP			
		I/O, RU -87P4 RU -87P8			
		I-87K I/O			
		I/O (FAQ -093)			
CAN/CANopen		COM1, COM3 ~ COM14 (*)			I-7530 (RS-232 CAN)
		CAN CANopen			(sensor). WP -8xx7
		10	RS-232	10	I-7530. (FAQ -086)
CANopen Master		I-8123W CANopen Master			CANopen Slave
		(FAQ -145)			
HART		0 ~ 7	I-87H17W	HART	
FTP Client		FTP Client, PAC			FTP Server. (FAQ -151)
Soft-GRAF HMI		Soft-GRAF HMI.			Soft-GRAF Studio HMI ,
		PAC	PAC	HMI (FAQ -146)	
I/O (ISaGRAF PAC I/O I/O)					
PWM	PWM	I-7088, I-8088W, I-87088W: 8-ch. PWM ,			1 Hz ~ 100 KHz ()
	PWM (DO)	8 . 250 Hz. Off=2, On=2 ms. : Off: 2 ~ 32766 ms, On: 2 ~ 32766 ms,			
		: I-8037W, 8041W, 8041AW, 8042W, 8050W, 8054W, 8055W, 8056W, 8057W, 8060W, 8063W, 8064W, 8068W, 8069W. (Relay DO Relay,)			
		8	: 32-bit.	250 Hz.	ON OFF > 2 ms.

Encoder, DI	(Parallel) DI	: I-8040W, 8040PW, 8042W, 8046W, 8048W, 8050W, 8051W, 8052W, 8053W, 8053PW, 8054W, 8055W, 8058W, 8063W.
	(Serial) DI	100 Hz. : 0 ~ 65535 (16bit). : I-87040W, 87046W, 87051W, 87052W, 87053W, 87053W-A5, 87054W, 87055W, 87058W, 87059W, 87063W.
	DI	I-7K/I-87K DI . 100 Hz. : 0 ~ 65535 .
		I-87082W: 100 kHz, 32-bit; I-8084W: 250 kHz, 32-bit
	Encoder	<u>I-8093W</u> : 3 Encoder , Quadrant 1 MHz , Pulse/Direction CW/CCW 4 MHz . (FAQ -112) <u>I-8084W</u> : 250 kHz 4-ch Encoder, pulse/direction Up/Down A/B phase (Quad. mode), Encoder Z -index. (FAQ -100)
		I-87082W: 2-ch, 1 Hz ~ 100 kHz; I-87088W: 8-ch, 0.1 Hz ~ 500 kHz; I-8084W: 8-ch, 1 Hz ~ 250 kHz
	(Motion)	1 I-8092F (2) I-8094F/8094 (4).
<p>* : COM5 ~ COM14 WP -8xx7 0-7 COM . WP-8137/8147 COM3 COM4. * ISaGRAF FAQ: http://www.icpdas.com/faq/isagraf_c.htm * NS -205/NS -208</p>		

http://www.icpdas.com/products/PAC/common_file/application-notes-c.htm

1.1 Soft-GRAF HMI : HMI

Soft-GRAF Studio:

Ø HMI ()

Ø HMI

HMI : ()

Ø (200 ,)

Ø (, ,)

Ø (/)

Ø (/)

Ø (1 2)

Ø

Ø

Ø

Ø

Ø

Ø

Ø

Ø

Ø

Ø

Ø

Ø

Ø

Ø

Ø

Ø

Ø

Ø

Ø

Ø

Ø

Ø

Ø

Ø

Ø

Ø

Ø

Ø

Ø

Ø

HMI

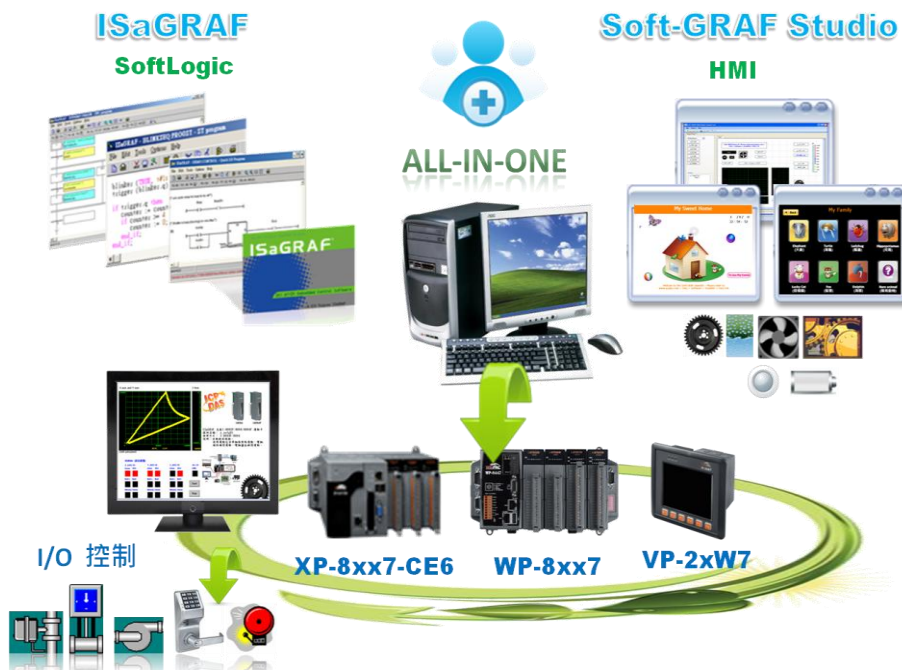
: 2.5

FAQ www.icpdas.com > FAQ > Software > ISaGRAF

[Ver.3. FAQ-146](#)

PAC

HMI



1.2 eLogger HMI

eLogger

HMI

www.icpdas.com > FAQ > Software >

[ISaGRAF > FAQ-115.](#)

• 離線模擬程式
 • 線上除錯/控制/監看
 • 六種開放式軟邏輯程式語言(LD, ST, ...)
ISaGRAF
 應用程式開發軟體

• 免費 HMI 應用工具
 • HMI • 易學 & 易用
eLogger
 HMI人機介面開發工具

WP-8x47 / 8x37 **XP-8xx7-CE6** **VP-25W7 / 23W7**

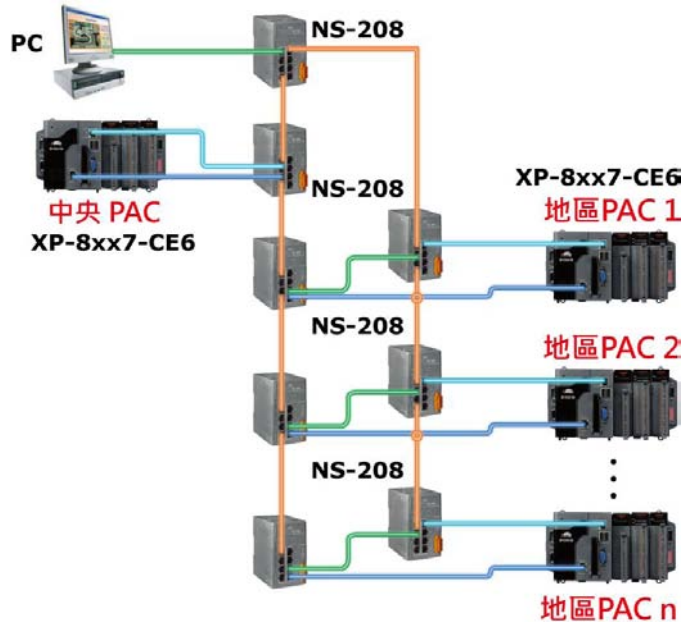
1.3

() Ę

: www.icpdas.com > FAQ > Software > ISaGRAF Ver.3 - 119 .

RS-485

XP-8xx7-CE6 WP-8xx7 VP-2xW7



1.4

() Ę

RS-485 I/O

WP-8xx7

RS-485 I/O.

PC/HMI

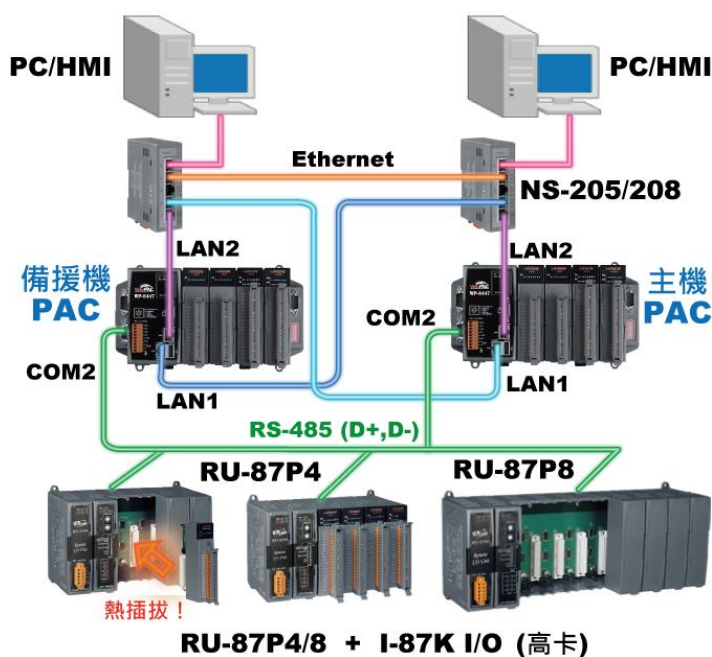
1

2

Active IP

() ..

www.icpdas.com > FAQ > Software > ISaGRAF > - 093



1.5 Modbus Master : TCP/IP

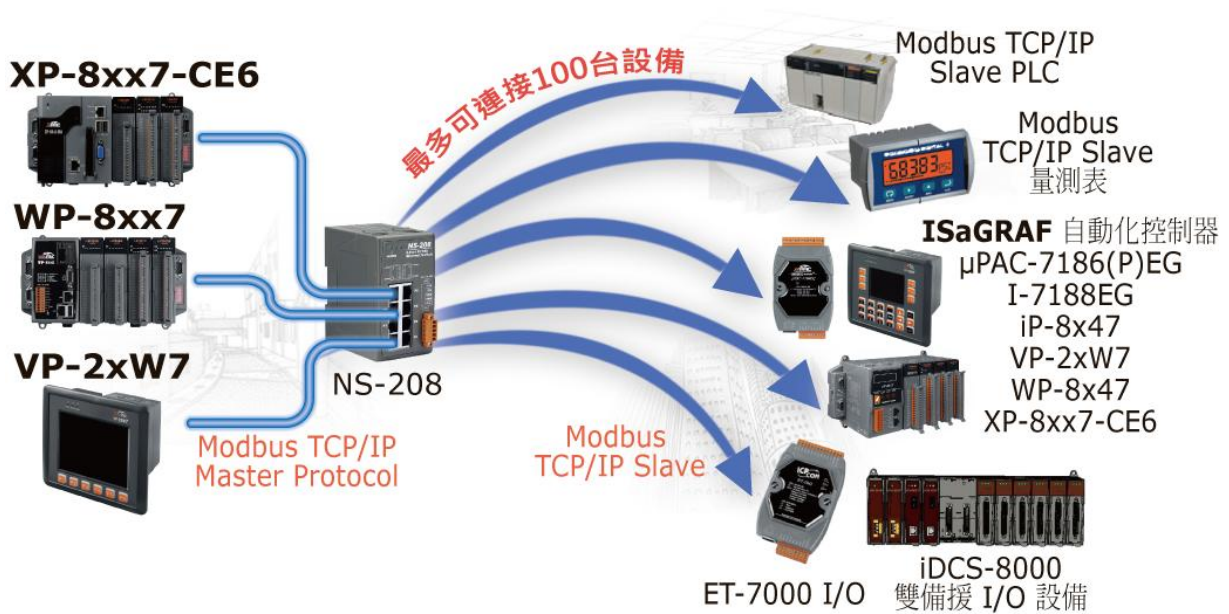
WP-8xx7 VP-25W7/23W7 100 Modbus TCP/IP slave

Modbus TCP/IP Slave

www.icpdas.com > FAQ > Software > ISaGRAF >

113

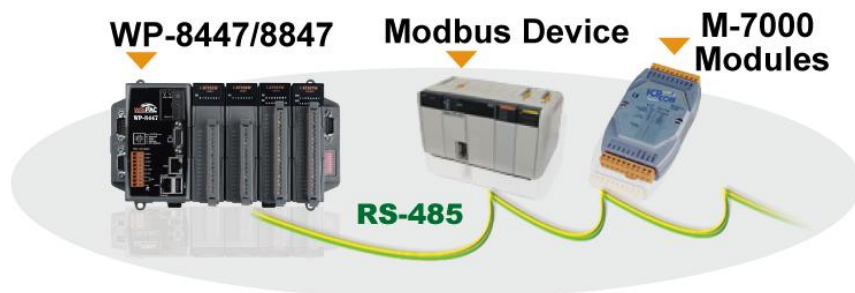
Modbus TCP/IP Master 應用



1.6 Modbus Master : RTU, ASCII, RS-232/485/422

10 : COM1~COM4 COM5~COM14 (I-8112iW/ 14W/ 14iW/ 42iW/ 44iW 0~2)

Modbus PLC M-7000 I/O Modbus 0 D



1.7 Modbus Slave : RTU/TCP

Modbus RTU (RS-232/485/422): 5
 Modbus TCP/IP: 32

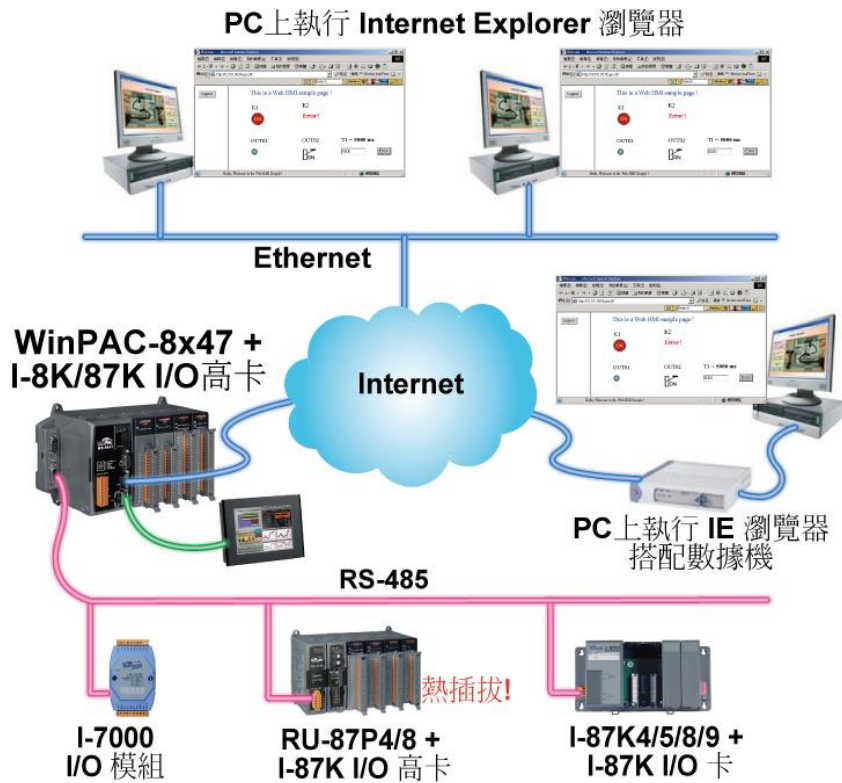


1.8 TCP/IP Server UDP Client/Server



1.9

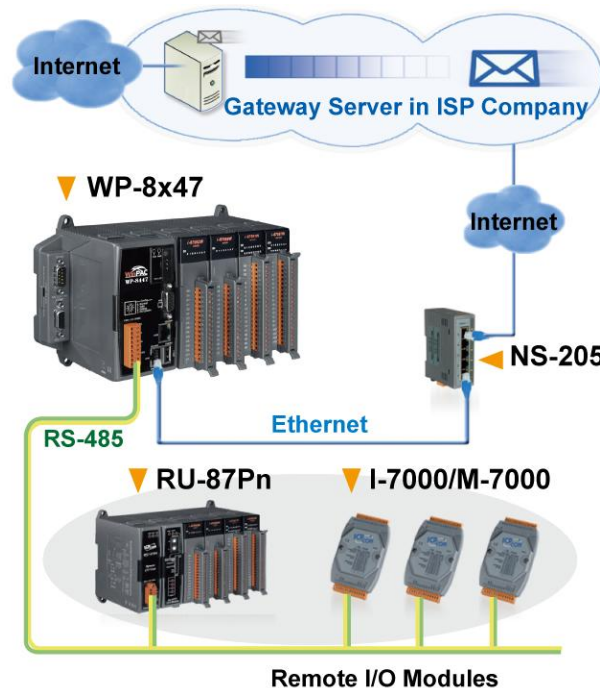
(Web HMI) È !



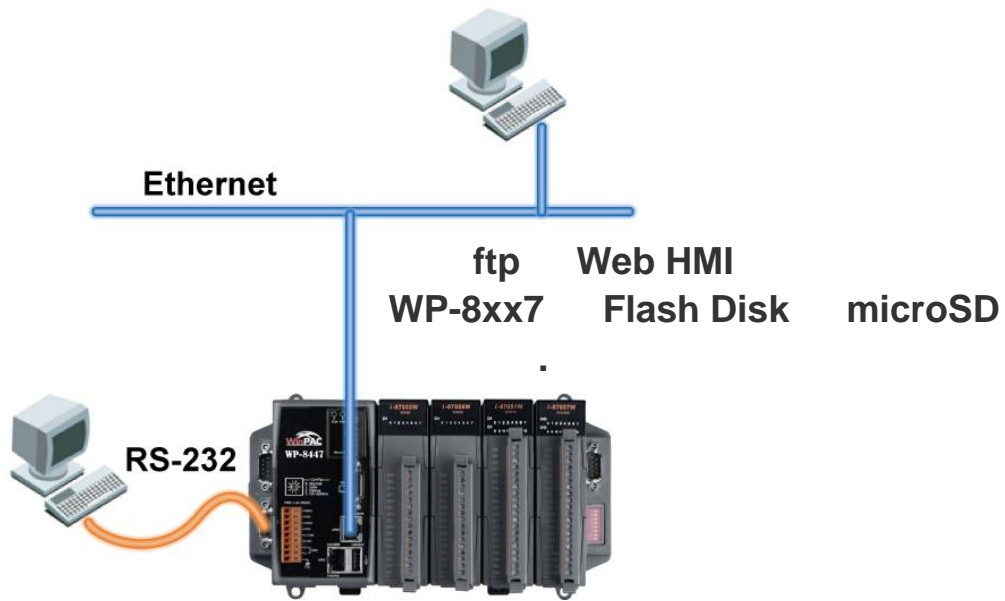
1.10

Email

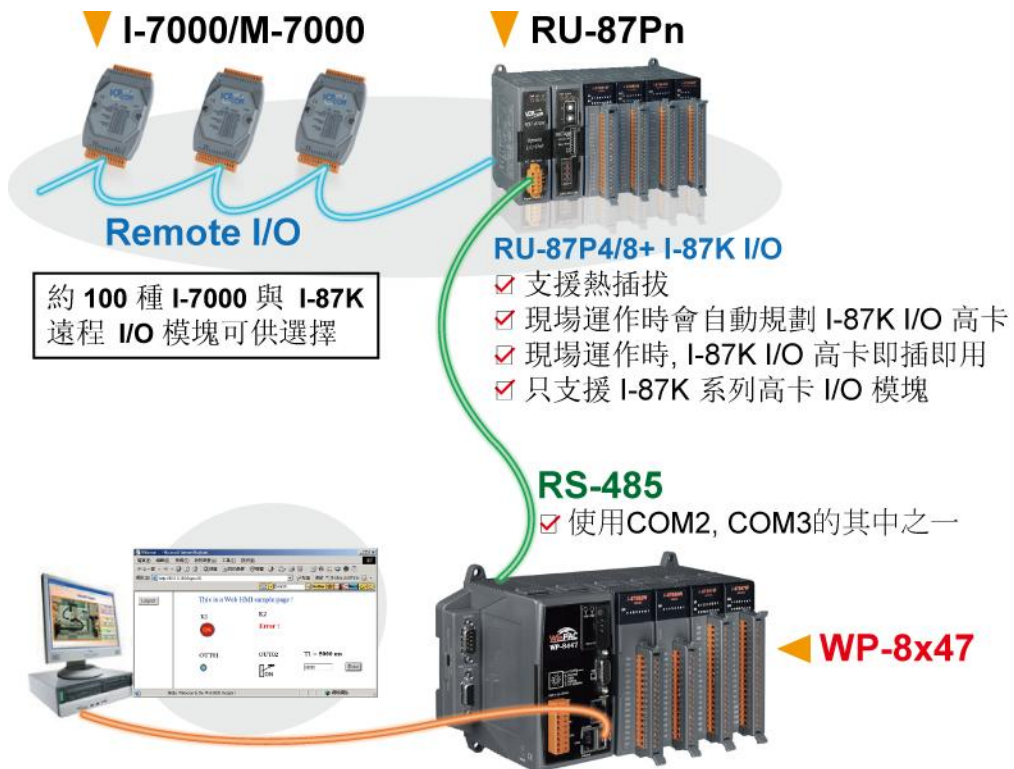
www.icpdas.com > FAQ > Software > ISaGRAF > - 067



1.11



1.12 I/O



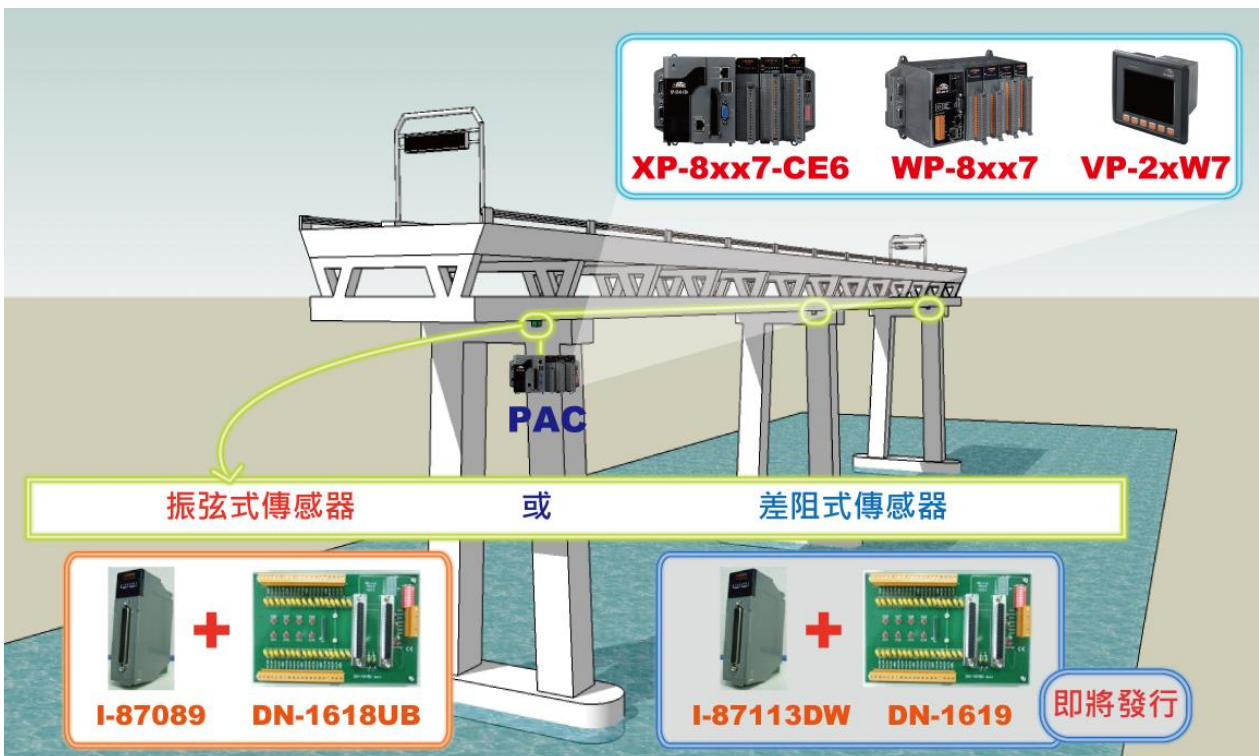
1.15

1 I-8091W 2 : X-Y , 2
 2 I-8091W 4 : X-Y + 2 , 4
 Encoder : I-8084W: 4-axis, Z-index
 I-8090W: 3-axis
 I-8093W: 3-axis



1.16

www.icpdas.com > FAQ > Software > ISaGRAF > - 091, 128



1.17 FRnet I/O

' **FRnet I/O** : I/O , 3 ms/scan
(PLC , : SaGRAF PLC 9
ms , 9 ms, 3 ms.)
' : FRnet I/O AI AO .
' www.icpdas.com > [FAQ](#) > [Software](#) > [ISaGRAF](#) > - 082

1.18 CAN/CANopen

' WP-8xx7 10 I-7530 (RS-232 CAN)
' : www.icpdas.com > [FAQ](#) > [Software](#) > [ISaGRAF](#) > - 086

