

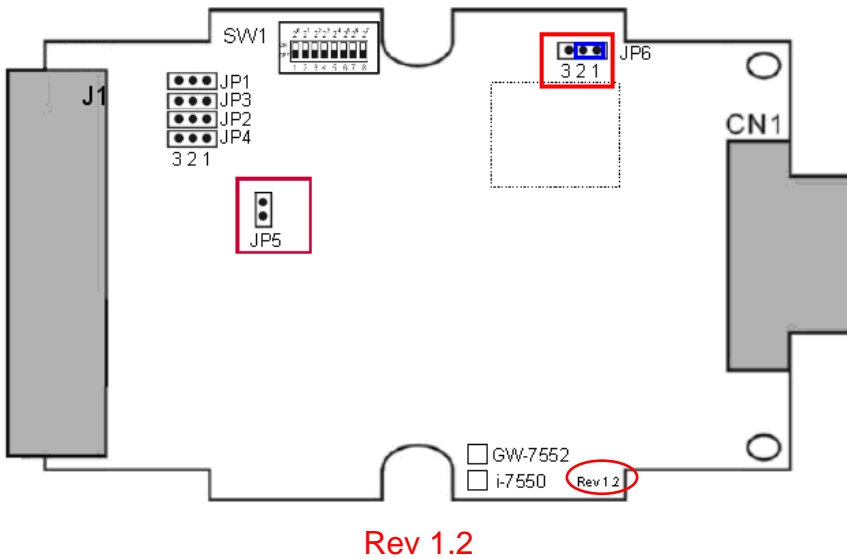
How to download the firmware to the GW-7552 module?

Step 1: Download the newest firmware (7552vxx.exe & autoexec.bat) at

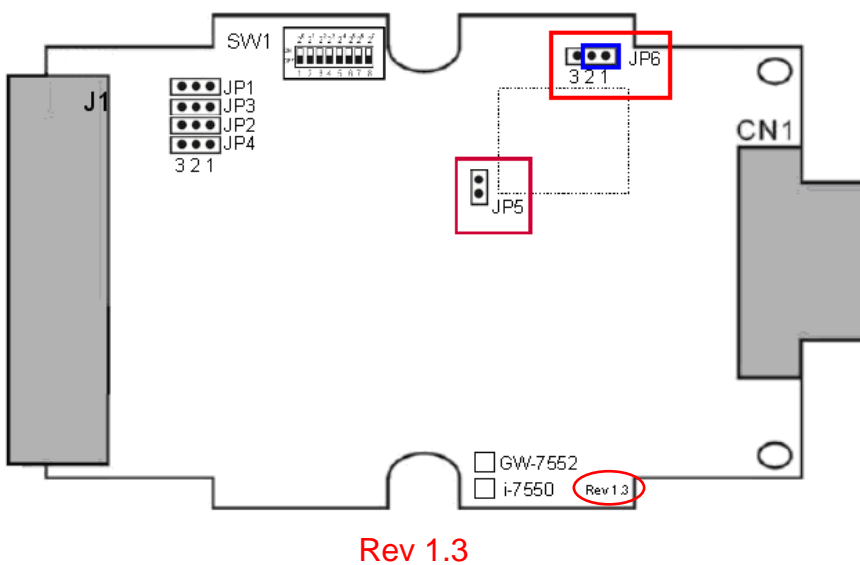
ftp://ftp.icpdas.com.tw/pub/cd/fieldbus_cd/profibus/converter/i-7550/firmware/

Step 2: Open the cover of GW-7552

Step 3: Close the initial pin (JP5) and flash protect pin (JP6 pin 1 & pin 2) by jumper

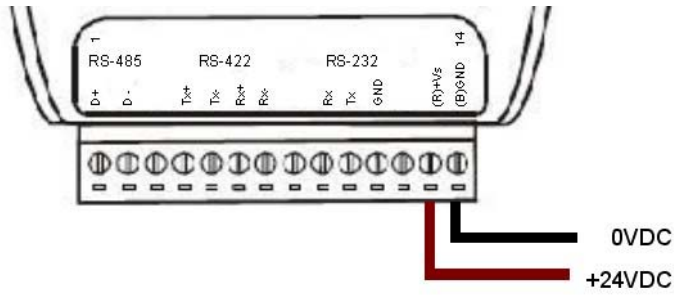


Rev 1.2



Rev 1.3

Step 4: Connect the power supply



Step 5: Connect the PC and the GW-7552 by Com Port (RS-232)

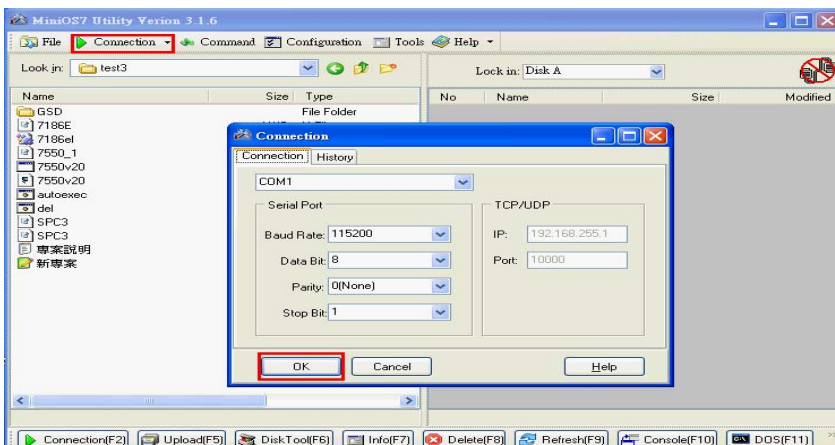


Step 6: Turn the power on

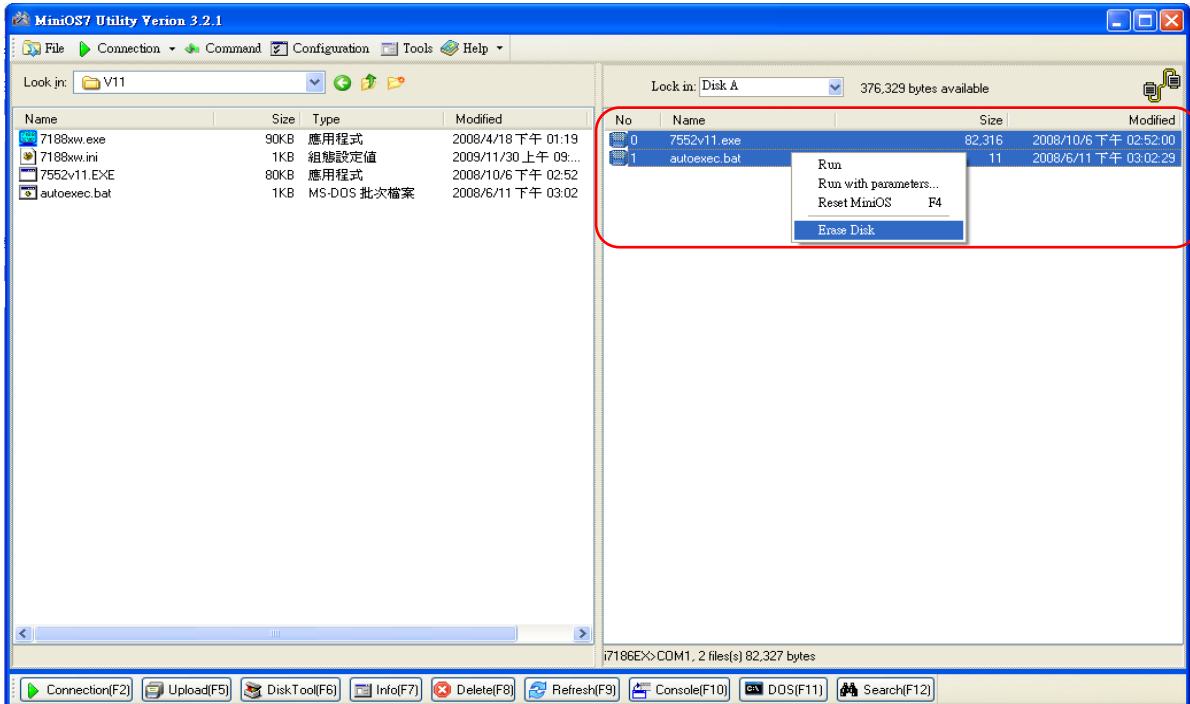
Step 7: Run MiniOS7 utility in the PC (You can download MiniOS7 Utility at

http://ftp.icpdas.com.tw/pub/cd/8000cd/napdos/minios7/utility/minios7_utility/)

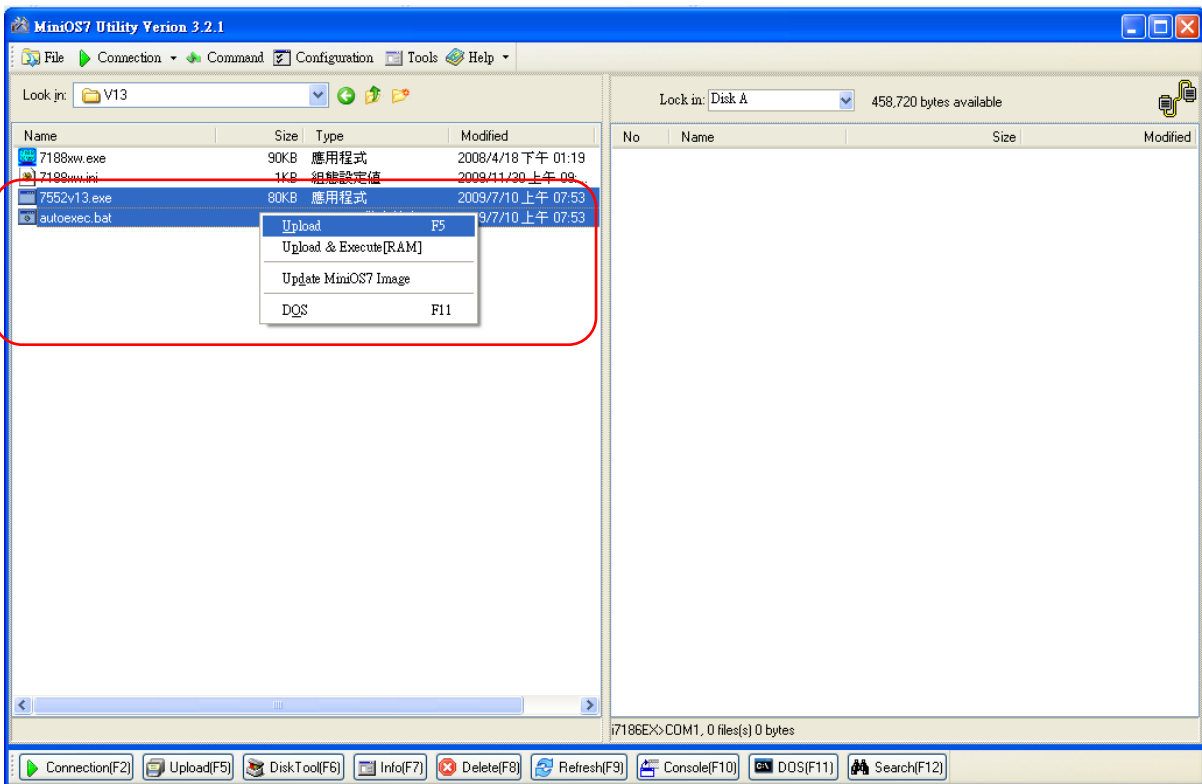
Step 8: Connect MiniOS7 Utility and the GW-7552 by click the connection button.



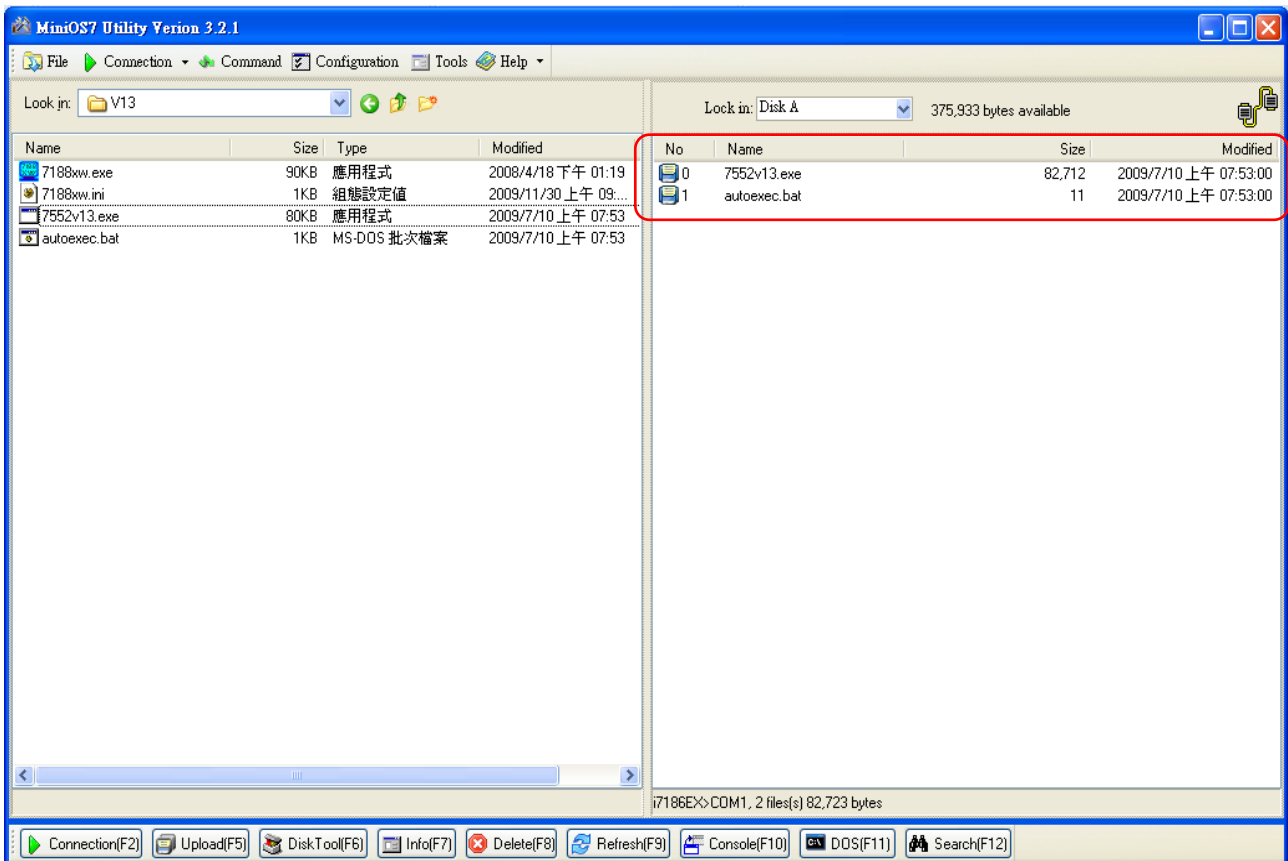
Step 9: Erase 7552vxx.exe & autoexec.bat



Step 10: Select the new firmware (7552vxx.exe) and autoexec.bat and upload

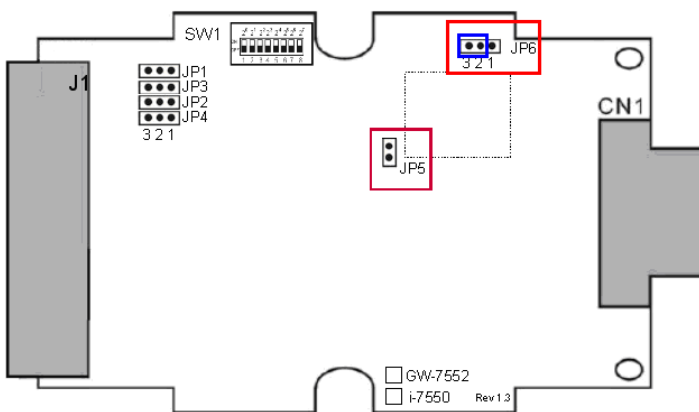


Step 11: Complete download the firmware



Step 12: Turn the power off

Step 13: Open the initial pin (JP5) by remove the jumper and close flash protect pin (JP6 pin 2 & pin 3) by jumper



Step 14: Close the cover of GW-7552