

Available soon



ZB-2024-T

Wireless 4-ch Voltage/Current Output Module

Introduction

The ZB-2024-T is a 12-bit, 4-ch analog outputs ZigBee wireless module that provides programmable output range (0 ~ +10 V_{oc}, -10 V_{oc} ~ +10 V_{oc}, 0 ~ +5 V_{oc}, -5 V_{oc} ~ +5 V_{oc}, 0 ~ +20 mA, +4 mA ~ +20 mA). There are options for power on value and Safe Value for your consideration. Supports Open Wire Detection for 4 ~ 20 mA. Users can be easy to configure the module address, Protocol, Checksum, ZB-PID, ZB-ch and type code by rotary and DIP switch.

Features

- ISM 2.4 GHz Operating Frequency
- Fully Compliant 2.4 G IEEE802.15.4/ZigBee Specifications
- Wireless Transmission Range up to 700 m (ZB-2550P/ZB-2570P)
- Wireless Transmission Range up to 100 m (ZB-2550/ZB-2570)
- GUI Configuration Software (Windows Version)
- 4 Analog Output (V, mA)
- Open Wire Detection for 4 ~ 20 mA
- Surge and ESD Protection
- DIN-Rail Mount



Applications

Building Automation, Factory Automation, Machine Automation, Remote Maintenance, Remote diagnosis, Testing Equipment.

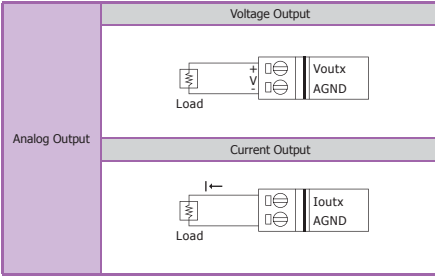
I/O Specifications

Analog Output	
Input Channel	4
Input Type	0 ~ +10 V _{oc} , -10 V _{oc} ~ +10 V _{oc} , 0 ~ +5 V _{oc} , -5 V _{oc} ~ +5 V _{oc} , 0 ~ +20 mA, +4 mA ~ +20 mA
Resolution	12-bit
Accuracy	+/-0.1% of FSR
Readback Accuracy	+/-1% of FSR
Zero Drift	+/-30 μV/°C
Span Drift	+/-25 ppm/°C
Programmable Output Slope	0.0625 ~ 512 V/Sec.
Voltage Output Capability	20 mA @ 10 V
Current Load Resistance	Internal +15 V _{oc} , Power: 500 Ω
Power-Up and SafeValue	Yes
Open Wire Detection for 4 ~ 20 mA	Yes
Intra-module Isolated, Field to Logic	2500 V _{oc}
ESD Protection	+/-4 kV Contact for each channel

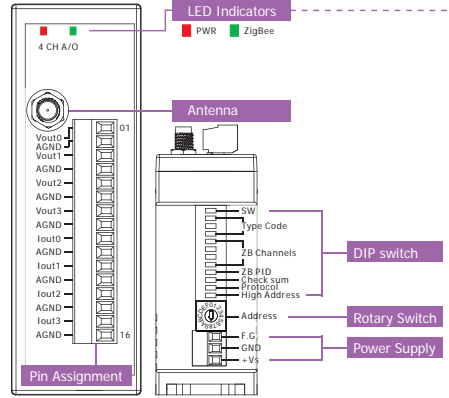
System Specifications

Communication Interface	
Wireless	ZigBee, IEEE 802.15.4 Standard
Antenna	2.4 GHz-3 dBi Omni-Directional antenna
Protocols	Supports DCON and Modbus RTU Protocols
Hot Swap	By Rotary and DIP switch
LED Indicators	
Power	1 LED, red
ZigBee Communication	1 LED, green
Power	
Power Consumption	2.5 W max.
Mechanical	
Flammability	Fire Retardant Materials (UL94-V0 Level)
Dimensions (W x L x H)	33 mm x 87 mm x 107 mm
Installation	DIN-Rail
Environment	
Operating Temperature	-25 °C ~ +75 °C
Storage Temperature	-30 °C ~ +80 °C
Humidity	10 ~ 90% RH, non-condensing

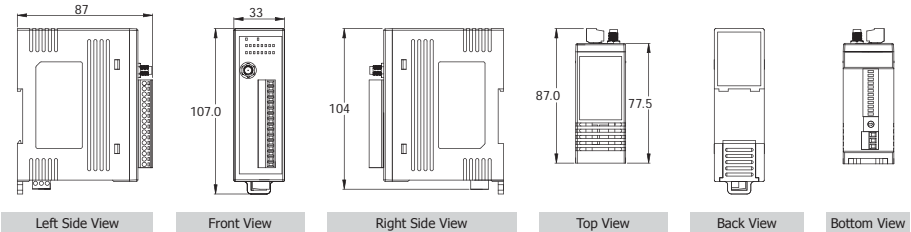
Wiring



Appearance



Dimensions (Unit: mm)



Ordering Information

ZB-2024-T CR	Wireless 4-ch Voltage/Current Output Module (RoHS)
Important Note: The ZigBee AIO modules need a ZB-2570 to coordinate the data transmission route, please remember to also order a ZB-2570 when you purchase the ZB DIO products.	

Accessories

MDR-20-24	24 Voc/1.0 A, 24 W Power Supply with DIN-Rail Mounting
ZB-2510 CR	ZigBee Repeater (RoHS)
ZB-2510P CR	High Power Amplifier ZigBee Repeater (RoHS)
ZB-2550 CR	RS-485/RS-232 to ZigBee Converter (Host) (RoHS)
ZB-2550P CR	RS-485/RS-232 to High Power Amplifier ZigBee Converter (Host) (RoHS)
ZB-2570 CR	Ethernet/RS-485/RS-232 to ZigBee Converter (Host) (RoHS)
ZB-2570P CR	Ethernet/RS-485/RS-232 to High Power Amplifier ZigBee Converter (Host) (RoHS)