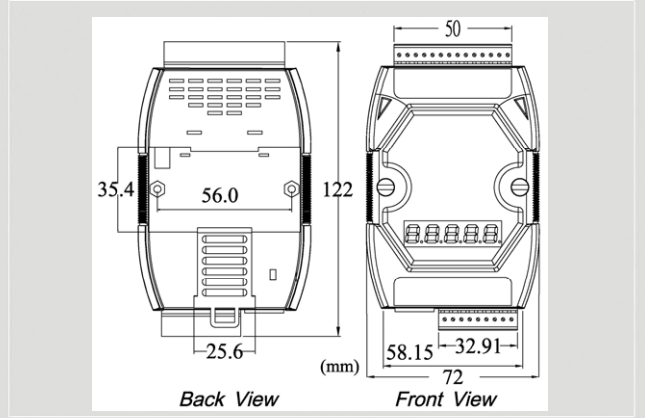


## Modbus TCP Slave/CANopen Master Gateway



**GW-7433D**



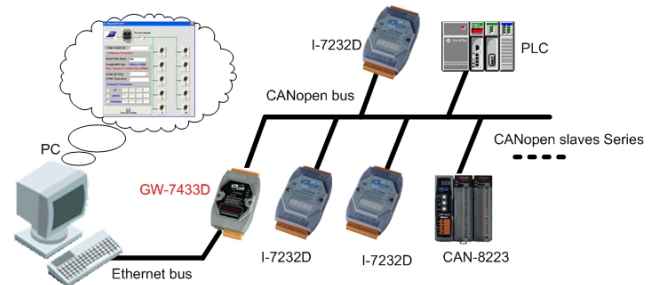
**Dimensions**

The GW-7433D is a solution that provides a communication transformation between CANopen protocol and Modbus/TCP protocol. It solves a mission-critical problem: connecting an existed CANopen network with Ethernet-base master device as long as this master device supports Modbus/TCP protocol. It enables CANopen networks to be coupled together with the Internet/Ethernet, whereby remote monitoring and controlling is achieved.

### Features

- Communication with CANopen slave automatically when GW-7433D boots up.
- CANopen Version: DS-301 v4.01
- Device Profile: DSP-401 v2.0
- Support on-line configure CANopen Slave parameters.
- Support 50 TxPDOs, 50 RxPDOs and 15 SDOs.
- Support Max 10 CANopen Slave modules
- MI, CI, and Err indicators
- Allow 5 Modbus TCP master to access GW-7433D simultaneously.
- Support 5-digits 7-Segment LEDs show information.

### Utility Features

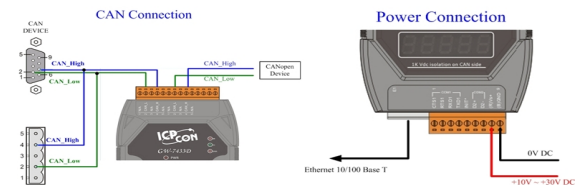


- Add/remove CANopen slaves via Ethernet
- Get/Set Modbus/TCP input/output memory address
- Display CANopen I/O mapping table
- Add/remove CANopen slaves via Ethernet

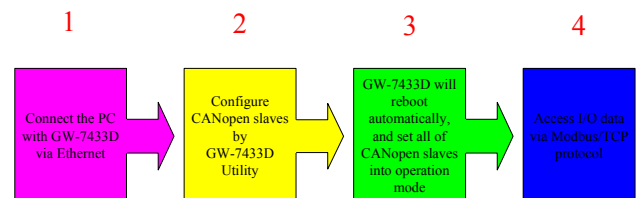
### Modbus TCP Command Support

Function code.	Description
01 (0x01)	Read Coil Status
02 (0x02)	Read Input Status
03 (0x03)	Read Holding Registers
04 (0x04)	Read input Registers
05 (0x05)	Force Single Coils
06 (0x06)	Preset Single Register
15 (0x0F)	Force Multi Coils
16 (0x10)	Preset Multi Registers

### Pin Assignments



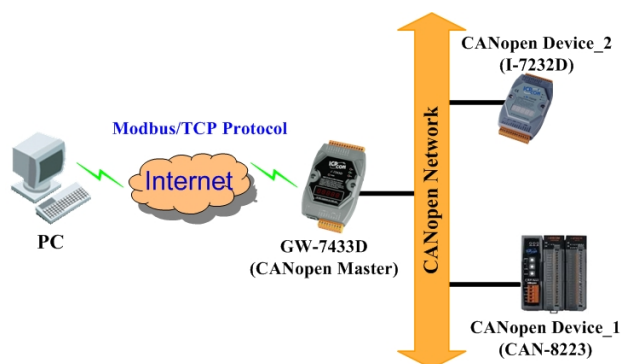
### Design Flowchart



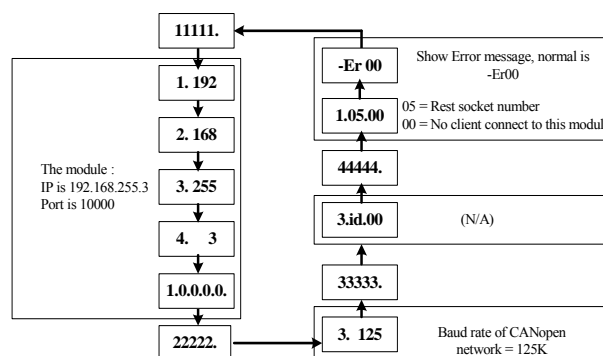
## Hardware Specifications

Item	GW-7433D
CPU	80186, 80MHz
SRAM	512K bytes
Flash Memory	512K bytes
EEPROM	16 Kbytes
Ethernet Port	10/100Base-TX Ethernet Controller (Auto-negotiating, Auto, MDIX, LED indicator)
Real Time Clock	16 bit; Year-2000 compliance; seconds, minutes, hours, date of the month; month, year, valid up from 1980 to 2079
Watch Dog Timer	CPU Built-in
CAN signal support	CAN_H, CAN_L
COM 1/COM 2	Updated firmware
CAN Controller	Phillips SJA1000T CAN Controller
CAN Transceiver	Phillips 82C250 CAN Transceiver
Isolated	2500Vrms on CAN side
Terminal Resister	120Ω terminal resister selected by jumper
CAN bus Baud	10K, 20K, 50K, 125K, 250K, 500K, 800K, 1M bps
I/O Expansion	Max 10 CANopen modules(50 TxPDOs, 50 RxPDOs and 15 SDOs)
Power Requirement	+10VDC to +30Vdc
Power Consumption	2.5 W
Operating Temp.	-25°C to 75°C
Storage Temp.	-35°C to 85°C
Humidity	5~95%
Dimensions	122mm x 72mm x 33 mm (H x W x D)

## Application



## 5-digit 7-Segment LED Display



## LED indicators

LED	Description
MI	The led provides the Modbus/TCP protocol is act or not
CI	This led indicates the CANopen communication status of the module
ERR	This led indicates the CANopen status of the GW-7433D

## Ordering Information

<b>GW-7433D CR</b>	Modbus TCP Slave/CANopen Master Gateway (RoHS)
--------------------	--