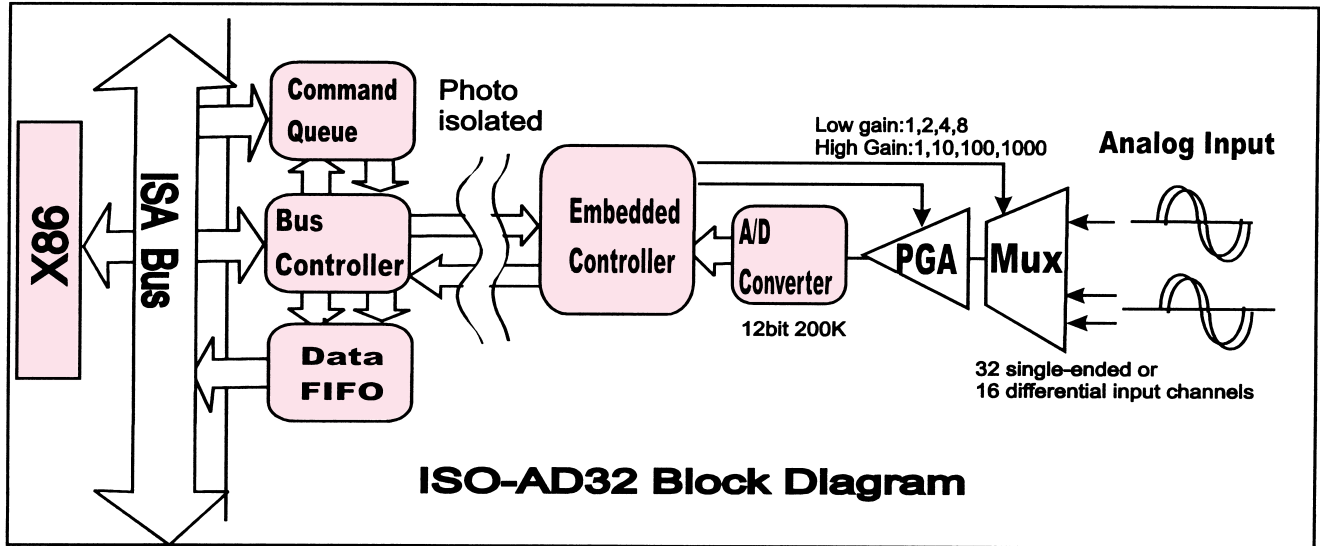


# ISO-AD32H/ISO-AD32L

200K/s 12-Bit; 32-Channel Isolated Analog Input Board



ISA-Bus

**General Environment**

- Operating temp: 0-50°C
- Storage temp: -20°C to 70°C
- Humidity: 0 to 90%
- Dimensions: 173 mm x 122 mm

**Software**

- ISO-AD32 Development Toolkit for DOS
- ISO-AD32 Development Toolkit for Win95
- ISO-AD32 Development Toolkit for WinNT

**Order Description**

- ISO-AD32H: 32 channel high gain isolated analog input
- ISO-AD32L: 32 channel low gain isolated analog input

**Options**

- DN-37: I/O connector block with DIN-rail mounting and 37-PIN D-SUB connector on it
- DB-1825: Screw Terminal Board

- ISO-AD32 LabVIEW Development Toolkit for Win95
- ISO-AD32 LabVIEW Development Toolkit for WinNT

**Pin Assignments**

AI 0	1	•	20	AI 16
AI 1	2	•	21	AI 17
AI 2	3	•	22	AI 18
AI 3	4	•	23	AI 19
AI 4	5	•	24	AI 20
AI 5	6	•	25	AI 21
AI 6	7	•	26	AI 22
AI 7	8	•	27	AI 23
AI 8	9	•	28	AI 24
AI 9	10	•	29	AI 25
AI 10	11	•	30	AI 26
AI 11	12	•	31	AI 27
AI 12	13	•	32	AI 28
AI 13	14	•	33	AI 29
AI 14	15	•	34	AI 30
AI 15	16	•	35	AI 31
A. GND	17	•	36	N.C.
+5V	18	•	37	D. GND
N.C.	19	•		

Note:

AI<sub>n</sub>: Analog Input Channel

A. GND: Analog Ground

D. GND: Digital Ground

+5V: On Board DC to DC Converter; +5V Output

