

# PW-3090 Isolated DC-TO-DC Converter Module

## Introduction

The PW-3090 series is an efficient (83%) DC-to-DC power module with 1000 Vdc isolated protection. It has non-regular DC input (18~36V) and stable DC output (5V, 12V, 24V, ±5V, ±15V). Using it, your devices can work with stable power source and against harmful effects in the operating environment.

## Features

- 1000Vdc isolation (three-way)
- Flexible DIN-rail mounting

## Applications

- DC-to-DC converter
- Power isolation

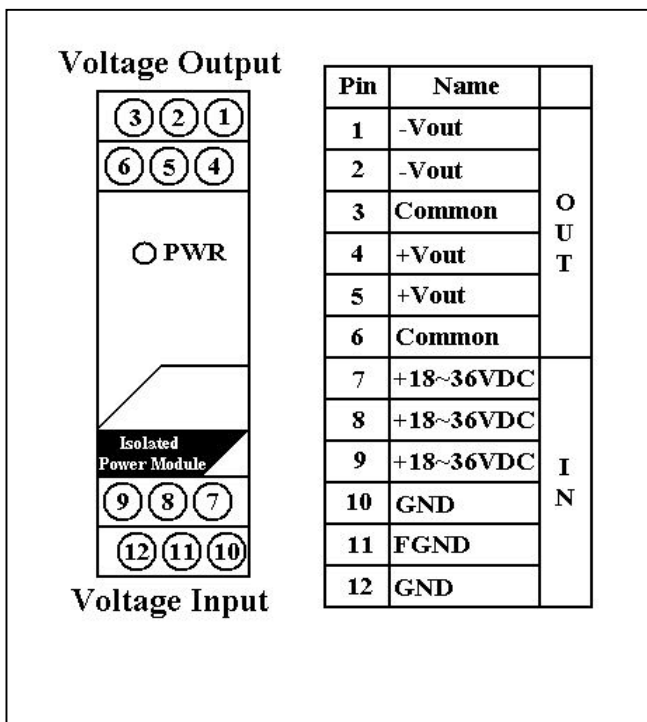
## Specifications

- Input Voltage Range: 18~36VDC
- Temperature Coefficient: ±0.03%/°C
- Ripple & Noise: 100mVp-p max.
- Line Regulation: ±0.2% max.
- Load Regulation: ±0.2% max.
- Short Circuit Protection
- Efficiency: 83% Typical
- Isolation Voltage: 1000Vdc
- Isolation Resistance: 10<sup>9</sup> ohms min.
- Switch Frequency: 200KHz
- Operating Temperature: -25°C to 70°C
- Storage Temperature range: -30°C ~ 85°C
- Dimensions: 113x70.5x24.5 (mm.)

## Ordering Information

Modules	Description
PW-3090-24S	Output Power Voltage +24V @ 400mA (max.) Accuracy: ±2%
PW-3090-12S	Output Power Voltage +12V @ 800mA (max.) Accuracy: ±2%
PW-3090-5S	Output Power Voltage +5V @ 2000mA (max.) Accuracy: ±2%
PW-3090-15D	Output Power Voltage ±15V @ 300mA (max.) Accuracy: ±2%
PW-3090-5D	Output Power Voltage ±5V @ 1000mA (max.) Accuracy: ±2%

## Pin Assignment



## Simplified Schematic

